

# *Spare Parts List*

# **KARSIT**

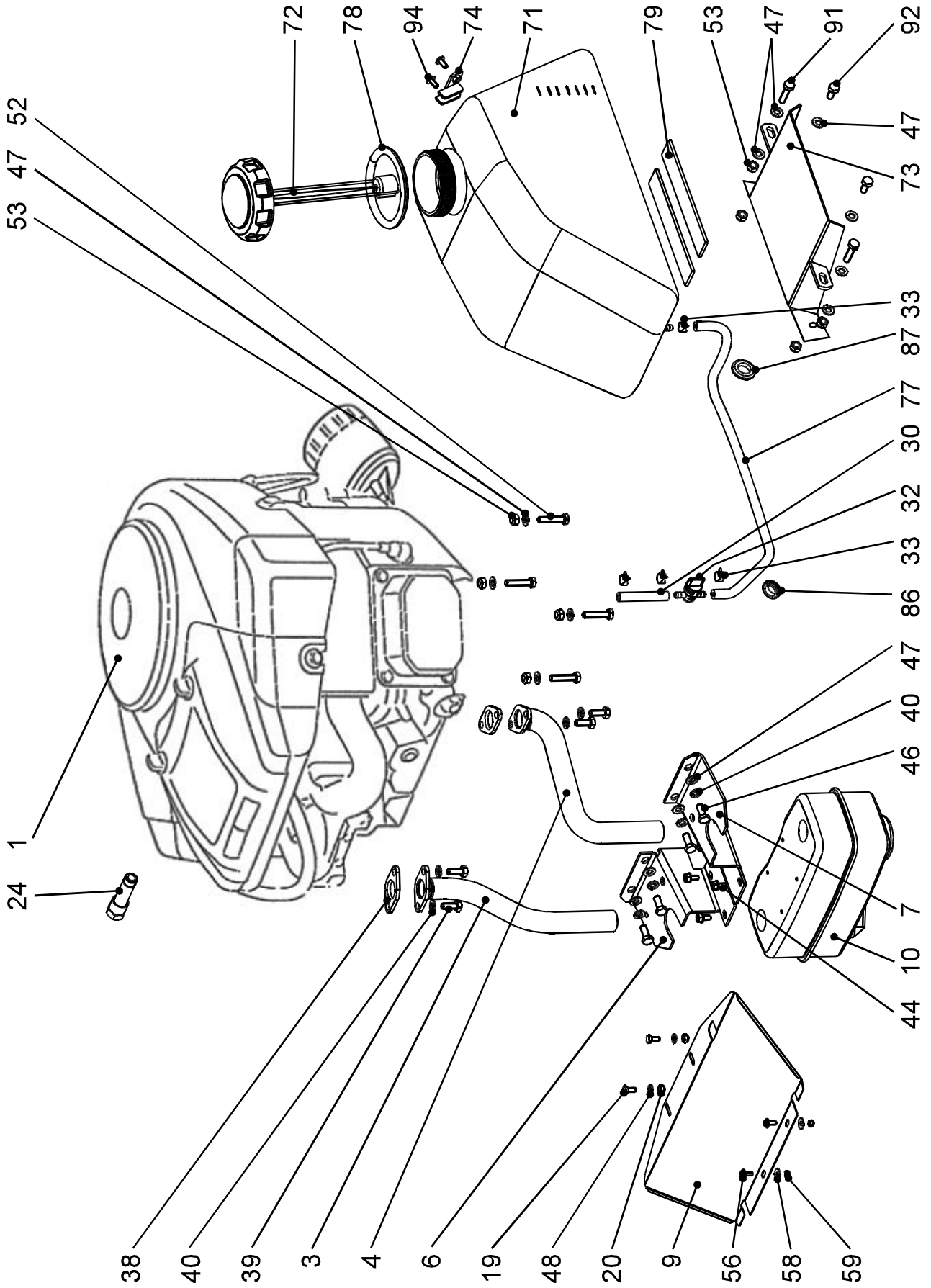
K17/102H  
K20/102H  
K22/102HX  
K22/122HX



**2011**

## **MACHINE ASSEMBLIES**

		<i>page</i>
1	<b>ENGINE ASSEMBLY 20/22 HP</b>	<b>2</b>
2	<b>FRONT AXLE ASSEMBLY</b>	<b>4</b>
3	<b>STEERING ASSEMBLY</b>	<b>6</b>
4A	<b>TRANSMISSION DRIVE K46</b>	<b>8</b>
4B	<b>TRANSMISSION DRIVE K62</b>	<b>10</b>
5	<b>MOVER/LIFT ASSEMBLY</b>	<b>12</b>
6	<b>CUTTING PAN MOWER HOUSING</b>	<b>14</b>
6	<b>CUTTING PAN DRIVE SYSTEM</b>	<b>16</b>
7	<b>OPERATION TRAVEL PEDALS</b>	<b>18</b>
8	<b>OPERATION BRAKE</b>	<b>20</b>
9	<b>ELECTRICAL WIRING HARNESS</b>	<b>22</b>
9	<b>ELECTRICAL ACCESSORIES</b>	<b>24</b>
10	<b>BODY ASSEMBLY-FENDER/SEAT</b>	<b>26</b>
10	<b>BODY ASSEMBLY-HOOD</b>	<b>28</b>
11	<b>GRASS COLLECTOR ASSEMBLY 300L</b>	<b>30</b>
12	<b>TUNNEL ASSEMBLY</b>	<b>32</b>
13	<b>DECALS LABELS</b>	<b>34</b>
14	<b>OPERATION DIFFERENTIAL LOCK</b>	<b>36</b>
15	<b>FRAME</b>	<b>38</b>



## ENGINE ASSEMBLY 20/22 HP

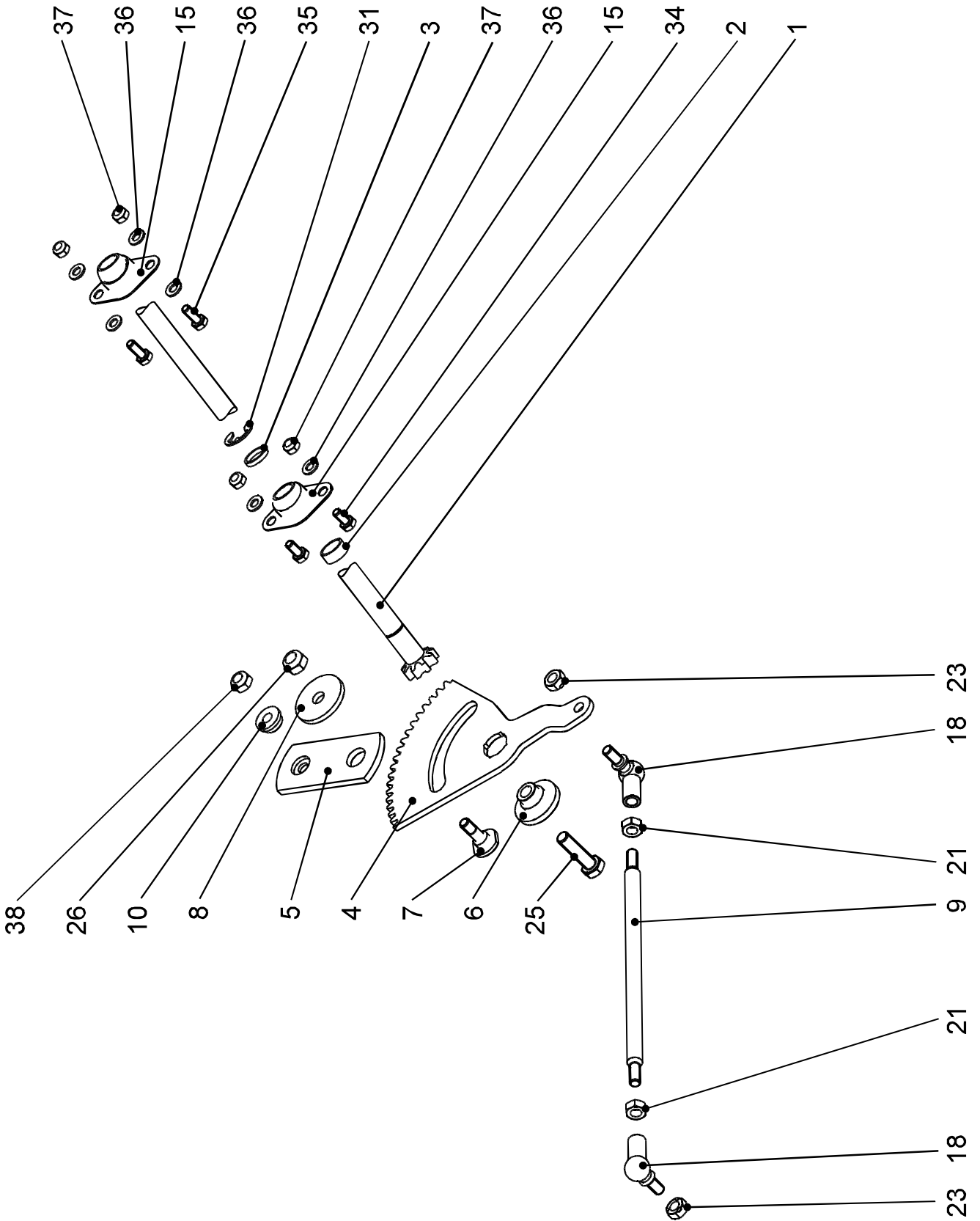
position		part no.	name	qty.
K20/102HI	K22/102HXI			
1	x	208577122	Engine 20 HP - V twin	1
x	1	208777123	Engine 22 HP - V twin	1
3	3	595900102	Exhaust tube Intek - Right	1
4	4	595900101	Exhaust tube Intek - Left	1
6	6	206058930	Muffler heat guard ,Right	1
7	7	206058929	Muffler heat guard ,Left	1
9	9	200058399	Heat shield	1
10	10	505900054	Muffler	1
19	19	247357	Screw M6x12 DIN 933-8,8	2
20	20	283118	Nut M6 DIN 985 KL.8	2
24	24	210055794	Oil drain coupler	1
30	x	206056712	Fuel line L=350	1
x	30	200058527	Fuel line L=320	1
32	32	476300	Fuel tank valve	1
33	33	318164	Fuel line clamp UM 5008	4
38	38	571001801	Exhaust gasket	2
39	39	201531	Exhaust screw 5/16-18-3/4	4
40	40	201003	Spring washer 8 DIN 127 B	8
44	44	505900065	Screw M6x12 DIN 7500 D	4
46	46	244563	Screw M8x20 DIN 933-8,8	4
47	47	291500	Washer 8,4 DIN 125 A	14
48	48	290389	Washer 6,4 DIN 125 A	2
52	52	299530	Screw M8x35 DIN 933-8,8	4
53	53	280885	Nut M8 DIN 985 KL.8	8
56	56	259094	Screw M5x12 Eco-fix 4,8	2
58	58	239448	Washer 5,3 DIN 9021 B	2
59	59	285912	Nut M5 DIN 985 KL.8	2
71	71	204056344	Fuel tank	1
72	72	204959306	Fuel tank cap	1
73	73	210956790	Fuel tank holder	1
74	74	205958050	Holder	1
77	77	206056831	Fuel line L=810	1
78	78	204056367	Seaming profil	1
79	79	204056363	Insert	2
86	86	203800004	Bushing KD 7	1
87	87	820002202	Bushing 18x2	1
91	91	245124	Screw M8x30 DIN 933-8,8	2
92	92	244563	Screw M8x20 DIN 933-8,8	2
94	94	204601206	Screw M6x12 BN 11252-10,9	2



## FRONT AXLE ASSEMBLY

<i>position</i>	<i>part no.</i>	<i>name</i>	<i>qty.</i>
K20/102HI			
K22/102HXI			
2	210956881	<i>Spindle,Left</i>	1
3	200958718	<i>Spindle,Right</i>	1
4	93852	<i>Front axle</i>	1
5	210055801	<i>Steering spindle lever</i>	2
7	69080	<i>Tie rod front axle</i>	1
8	201058447	<i>Spacer</i>	2
11	505900004	<i>Front axle bushing</i>	2
14	195800901	<i>Ball angle joint 16</i>	2
18	204101006	<i>Self locking nut M10 DIN 980 8/V</i>	2
19	273625	<i>Nut M10 DIN 934 KL.8</i>	2
22	221012090	<i>Screw M12x90 DIN 931-8,8</i>	1
24	282557	<i>Nut M12 DIN 985 KI.8</i>	1
28	201221175	<i>Screw M10x75 DIN 931-8,8</i>	2
29	292061	<i>Washer 10,5 DIN 125 A</i>	2
30	281446	<i>Nut M10 DIN 985 KL.8</i>	2
33	295966	<i>Washer 19 DIN 125 A</i>	6
34	230230	<i>Spring clip 15 DIN 6799</i>	3
37	210852004	<i>Screw M8x50 DIN 912</i>	1
38	280885	<i>Nut M8 DIN 985 KL.8</i>	1
39	740113	<i>Grease fitting MK6 DIN 71412</i>	3
40	298761	<i>Washer 8 DIN 7349</i>	2
51	407121	<i>Hub cap SC 1 1/2</i>	2
52	201055676	<i>Washer 20/40</i>	2
53	204959299	<i>Front tyre wheel assy 16x6,50-8</i>	2
53,1	204598001	<i>Tyre 16x6,50-8</i>	2
53,2	415426	<i>Tube 16x6,50-8</i>	2
53,3	204598024	<i>Rim</i>	2

# STEERING ASSEMBLY



## STEERING ASSEMBLY

<i>position</i>	<i>part no.</i>	<i>name</i>	<i>qty.</i>
K20/102HI			
K22/102HXI			
1	195800920	<i>Steering shaft</i>	1
2	105800969	<i>Spacer-Lower</i>	1
3	105800970	<i>Spacer-Upper</i>	1
4	210055807	<i>Gear-Sector</i>	1
5	201058248	<i>Plate-Steering</i>	1
6	201058247	<i>Pivot-Steering</i>	1
7	201058246	<i>Bolt-Shoulder</i>	1
8	201058245	<i>Washer</i>	1
9	50413	<i>Link-Drag</i>	1
10	201058244	<i>Bushing</i>	1
15	505900002	<i>Spherical bearing FJB 12</i>	2
18	195800901	<i>Ball angle joint 16</i>	2
21	273625	<i>Nut M10 DIN 934 KL.8</i>	2
23	204101006	<i>Self locking nut M10 DIN 980 8/V</i>	2
25	220012045	<i>Screw M12x45 DIN 933-8,8</i>	1
26	282557	<i>Nut M12 DIN 985 KI.8</i>	1
31	230230	<i>Spring clip 15 DIN 6799</i>	1
34	230230	<i>Screw M8x16 DIN 933-8,8</i>	2
35	244563	<i>Screw M8x20 DIN 933-8,8</i>	2
36	291500	<i>Washer 8,4 DIN 125A</i>	6
37	280885	<i>Nut M8 DIN 985-KL.8</i>	4
38	281446	<i>Nut M10 DIN 985 KI.8</i>	1



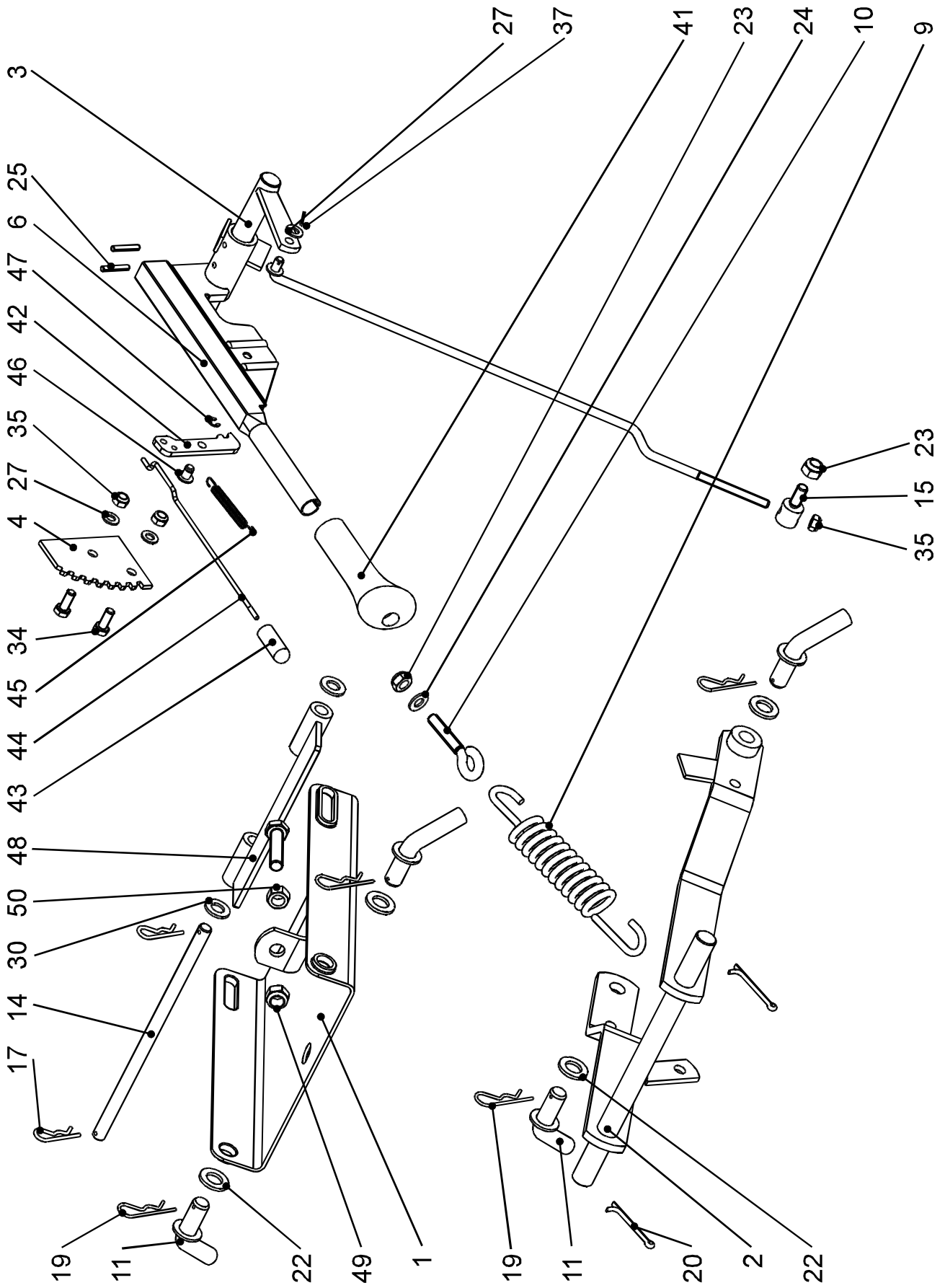
## TRANSMISSION DRIVE K46

<i>position</i>	<i>part no.</i>	<i>name</i>	<i>qty.</i>
K20/102HI			
1	505900074	<i>Idler pulley V3000-3316</i>	4
2	924605	<i>Retainer</i>	1
3	786445	<i>Idler pulley F3000</i>	1
4	200958444	<i>Stabilizer</i>	1
5	201058448	<i>Support plate</i>	2
6	203958007	<i>Bracket, Right</i>	1
7	200959137	<i>Engine pulley</i>	1
8	892595	<i>El. magnet clutch Warner MSS</i>	1
9	208959061	<i>Transmission Tuff-Torq K46</i>	1
10	200492077	<i>Traction V- Belt LA 103</i>	1
11	273955	<i>Square key 1/4x1/4x1 1/4</i>	1
12	276012	<i>Spring washer 7/16</i>	1
13	294833	<i>Clutch bolt 7/16-20x2 1/2</i>	1
14	246235	<i>Screw M8x25 DIN 933-8,8</i>	1
15	298760	<i>Washer 8,4 DIN 9021 B</i>	1
16	244563	<i>Screw M8x20 DIN 933-8,8</i>	1
17	291500	<i>Washer 8,4 DIN 125 A</i>	12
18	280885	<i>Nut M8 DIN 985 KL.8</i>	8
19	200058260	<i>Spring</i>	1
22	221845	<i>Screw M8x45 DIN 931-10,9</i>	1
23	203958746	<i>Bracket, Left</i>	1
26	201221875	<i>Screw M8x75 DIN 931-8,8</i>	4
37	201055676	<i>Washer</i>	2
38	201058144	<i>Retainer</i>	1
39	201852564	<i>Screw M10x50 DIN 931-8,8</i>	1
40	201852454	<i>Washer 10,5 DIN 7349</i>	1
41	91993	<i>Idler bushing</i>	5
42	238414	<i>Screw M10x40 DIN 931-8,8</i>	4
43	292061	<i>Washer 10,5 DIN 125 A</i>	7
44	281446	<i>Nut M10 DIN 985 KL.8</i>	5
45	200958721	<i>Idler arm</i>	1
46	740113	<i>Grease fitting MK6 DIN 71412</i>	1
47	299299	<i>Square key 3/16x3/16x2 1/2</i>	2
48	96349	<i>Washer</i>	2
49	200058432	<i>Spacer, Axle</i>	2
50	230230	<i>Spring clip 15 DIN 6799</i>	2
51	407121	<i>Hub cap SC 1 1/2</i>	2
52	203959262	<i>Rear tyre wheel assy 20x10,00-8</i>	2
52,1	204598004	<i>Tyre 20x10,00-8</i>	2
52,2	496826	<i>Tube 20x10,00-8</i>	2
52,3	204598018	<i>Rim 20x10,00-8</i>	2



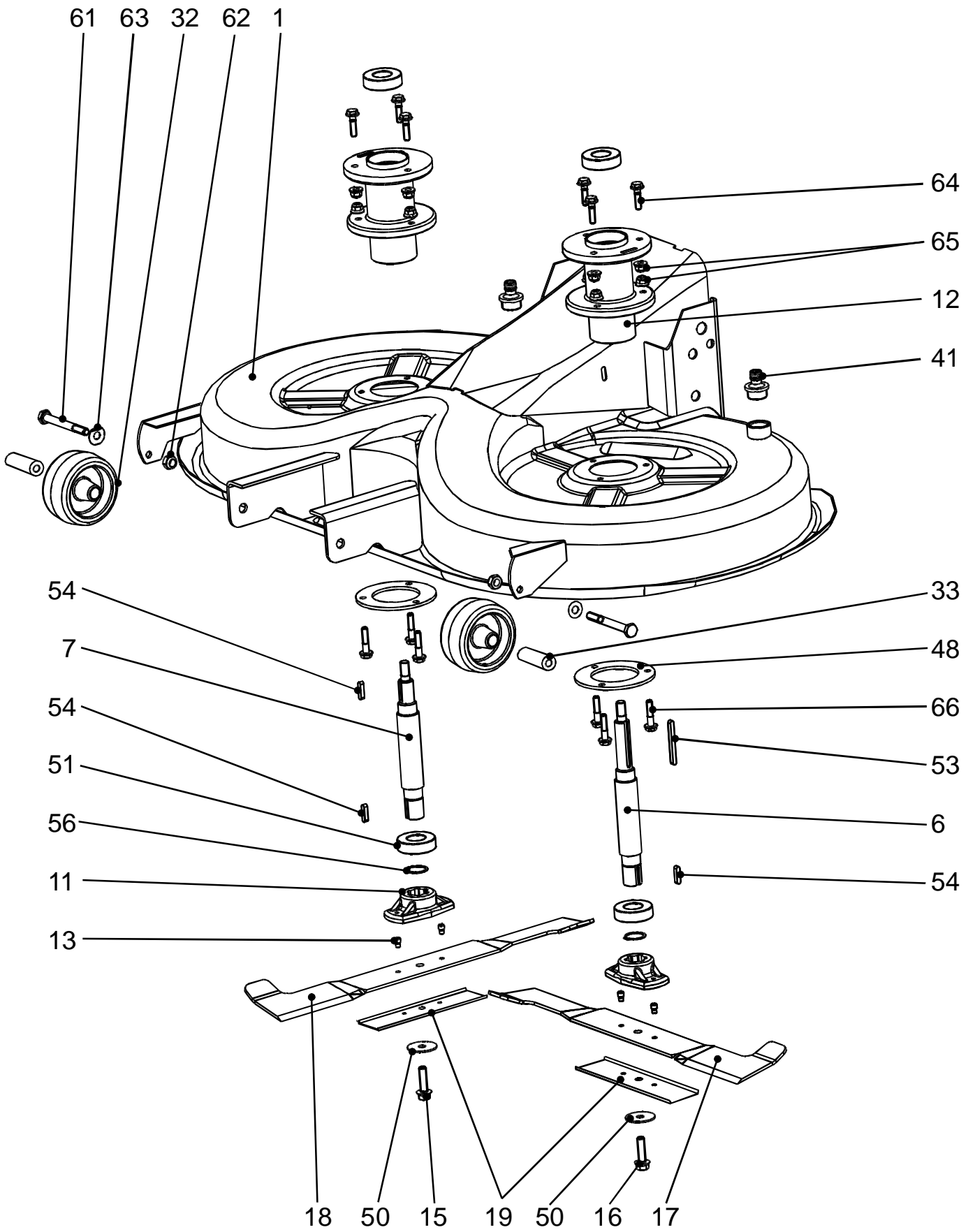
## TRANSMISSION DRIVE K62

<i>position</i>	<i>part no.</i>	<i>name</i>	<i>qty.</i>
K22/102HXI			
1	505900074	Idler pulley V3000-3316	4
2	924605	Retainer	1
3	786445	Idler pulley F3000	1
4	203958148	Stabilizer	1
5	203056197	Support plate	2
6	203958007	Bracket, Right	1
7	200959137	Engine pulley	1
8	892595	El.magnet clutch Warner MSS	1
9	203959265	Transmission Tuff-Torq K62	1
10	200492077	Traction V-belt La 103	1
11	273955	Square key 1/4x1/4x1 1/4	1
12	276012	Spring washer 7/16"	1
13	294833	Clutch screw 7/16-20x2 1/2	1
14	246235	Screw M8x25 DIN 933-8,8	1
15	298760	Washer 8,4 DIN 9021 B	1
16	244563	Screw M8x20 DIN 933-8,8	1
17	291500	Washer 8,4 DIN 125 A	11
18	280885	Nut M8 DIN 985 Kl.8	8
19	200058260	Spring	1
22	272635	Screw M8x55 DIN 931-8,8	1
23	203958746	Bracket, Left	1
26	201221875	Screw M8x75 DIN 931-8,8	4
28	246235	Screw M8x25 Din 933-8,8	2
32	203958146	Transmission arm	1
33	203958149	Bracket	1
36	203059271	Reservior tank bracket	1
37	210055676	Washer 20/40	2
38	201058144	Retainer	1
39	201852564	Screw M10x50 DIN 931-8,8	1
40	201852454	Washer 10,5 DIN 7349	1
41	91993	Idler bushing	5
42	238414	Screw M10x40 DIN 931-8,8	2
43	292061	Washer 10,5 DIN 125 A	8
44	281446	Nut M10 DIN 985 Kl.8	5
45	200958721	Idler arm	1
46	740113	Grease fitting MK6 DIN 71412	1
47	204277238	Square key 1/4"x1/4" 2 3/8	2
48	204056318	Washer	2
49	203056233	Spacer axle	2
50	296076	Locking ring 25 DIN 471	2
51	407121	Hub cap SC 1 1/2	2
52	204959286	Rear tyre wheel assy 20x10,00-8	2
52,1	204958004	Tyre 20x10,00-8	2
52,2	496826	Tube 20x10,00-8	2
52,3	204598020	Rim 20x10,00-8/1	2
58	203056202	Pipe	1
59	203056204	Fitting	1
60	203056205	Seal 12/15	1
61	203056199	Spacer	2
62	203120845	Washer 8,4 BN 737	4
63	201003	Washer 8 DIN 127 B	3
64	203210551	Screw M10x55 DIN 931-8,8	2
65	204100813	Nut M8x1 DIN 439 B ISO 8675	1
66	221089	Screw M8x18 DIN 933-8,8	2
67	243441	Screw M8x16 DIN 933-8,8	2
72	203059273	Transmission fan	1
73	203059274	Transmission pulley	1
81	203059268	Reservior tank	1
82	203059270	Vent valve	1
83	203056196	Pipe	1
84	203059269	Seal	1
85	203056195	Lock	1
86	203056203	Oil line	1
87	318164	Oil line clamp UM 5008	2
88	204056320	Washer	2



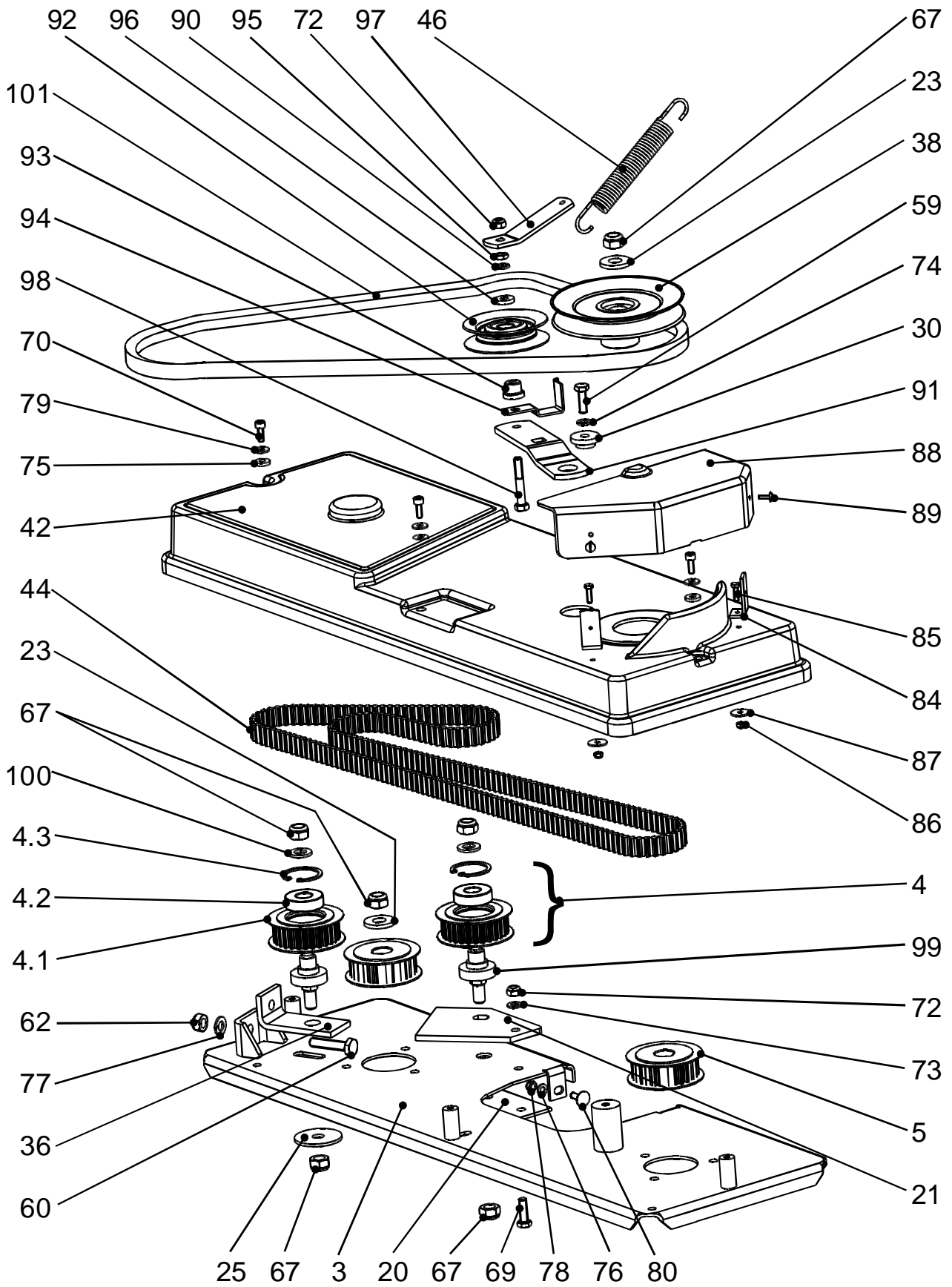
## MOVER / LIFT - ASSEMBLY

position		part no.	name	qty.
K20/102HI	K22/102HXI			
1	1	965305	Front suspension mower deck	1
2	2	957110	Pivot arm assy	1
3	3	201958365	Height adjuster shaft	1
4	4	201058107	Gear segment	1
5	x	200958670	Height adjustment rod	1
x	5	204958064	Height adjustment rod	1
6	6	936222	Height adjustment arm lever	1
9	9	80608	Lift spring	1
10	10	910283	Eye bolt M10x50x14	1
11	11	202958277	Bent pin	4
14	14	37246	Pin	1
15	15	72985	Lifting pin	1
17	17	75812	Hair pin clip 3,15	2
19	19	33242	Hair pin 2,5	4
20	20	235323	Cotter pin 5x50 DIN 94	2
22	22	202056038	Rubber washer	4
23	23	281446	Nut M10 DIN 985 KI.8	2
24	24	292061	Washer 10,5 DIN 125 A	1
25	25	324467	Spring pin 5x30 DIN 1481	2
27	27	291500	Washer 8,4 DIN 125 A	3
30	30	293172	Washer 12 DIN 125 A	2
34	34	244563	Screw M8x20 DIN 933-8,8	2
35	35	280885	Nut M8 DIN 985 KI.8	3
37	37	282218	Cotter pin 2x18	1
41	41	784256	Handle grip-Black	1
42	42	15994	Ratchet pivot plate	1
43	43	403535	Plunger button-Black	1
44	44	45639	Connection rod	1
45	45	1485	Spring	1
46	46	105800953	Pin	1
47	47	275200006	Stirrup	1
48	48	918005	Holder	1
49	49	228019	Nut M12 DIN 934 KI.8	1
50	50	282557	Nut M12 DIN 985 KI.8	1



## CUTTING PAN-MOWER HOUSING 102

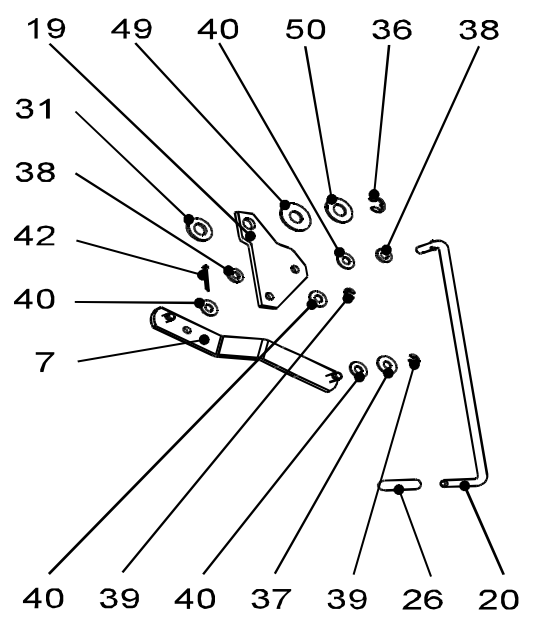
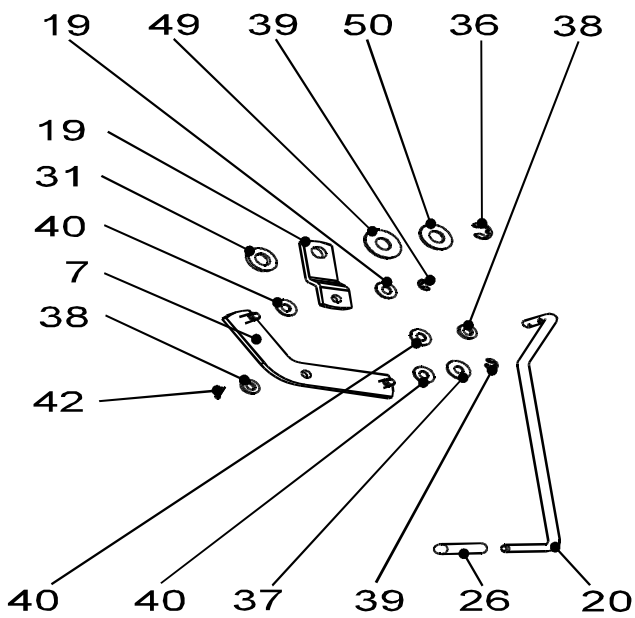
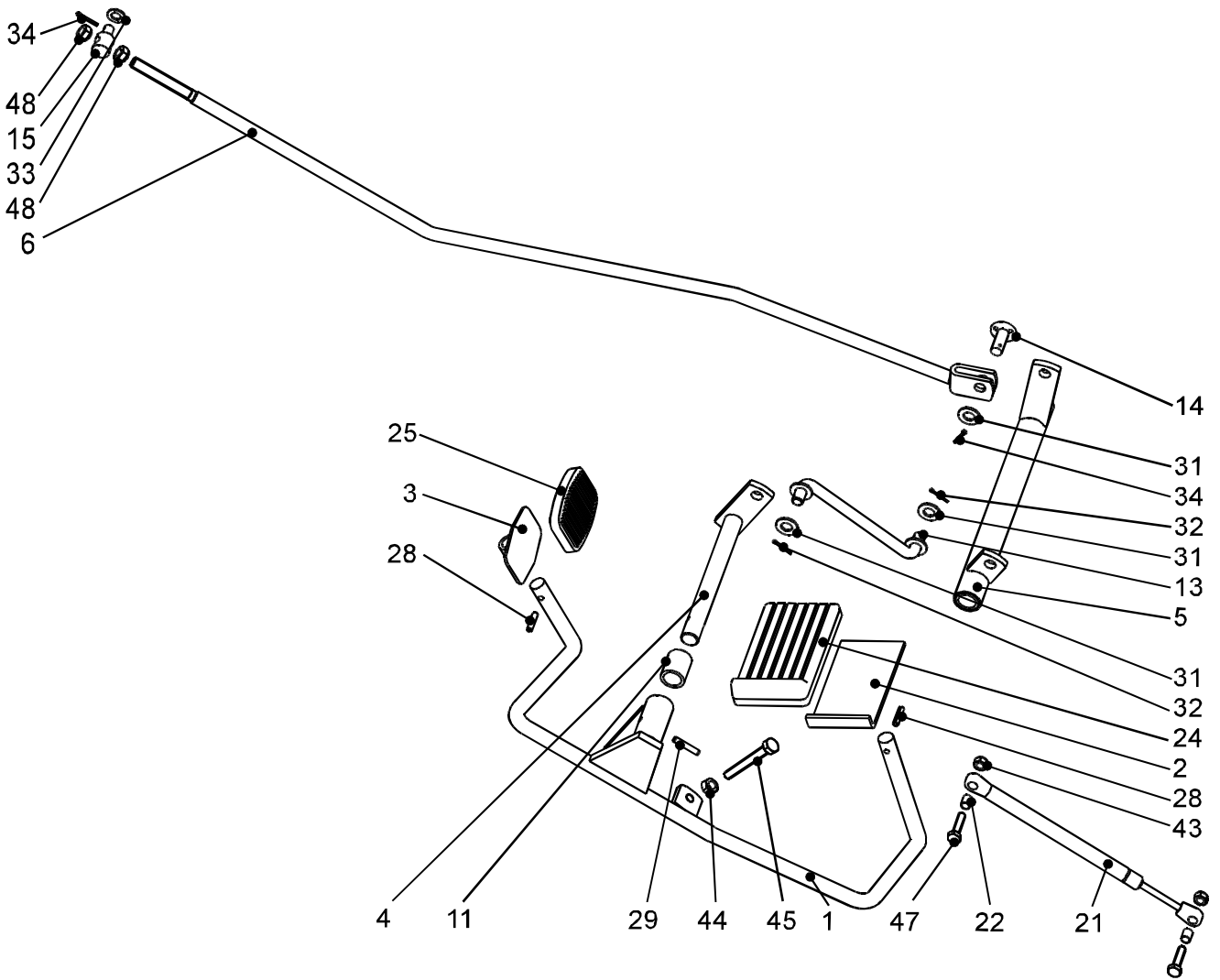
<i>position</i>	<i>part no.</i>	<i>name</i>	<i>qty.</i>
K20/102HI			
K22/102HXI			
1	210956768	<i>Blades cover 102-K2-S</i>	1
6	105800988	<i>Blade shaft, Left</i>	1
7	105800987	<i>Blade shaft, Right</i>	1
9	202056030	<i>Spacer</i>	2
11	202058022	<i>Blade adaptor</i>	2
12	203056136	<i>Quill Housing</i>	2
13	281490	<i>Grooved shear pin</i>	4
15	245025	<i>Screw M10x1x35 L</i>	1
16	233453	<i>Screw M10x1x35 P</i>	1
17	204056397	<i>Blade, Left</i>	1
18	204056396	<i>Blade, Right</i>	1
19	202056074	<i>Blade brace</i>	2
32	210055639	<i>Gauge wheel</i>	2
33	210055640	<i>Spacer</i>	2
41	203001020	<i>Connection G 3/4"</i>	2
48	505900059	<i>Liner</i>	2
50	505900073	<i>Belleville washer 40x10,2x2x3,1</i>	2
51	201878010	<i>Bearing 6205 2RS P6</i>	4
53	106590	<i>Key 6h9x6x63</i>	1
54	206030	<i>Key 6h9x6x25</i>	3
56	296076	<i>Locking ring 25 DIN 471</i>	2
61	201852002	<i>Screw M10x70 DIN 931-8,8</i>	2
62	281446	<i>Nut M10 DIN 985 Kl.8</i>	2
63	201852454	<i>Washer 10,5 DIN 7349</i>	2
64	201852083	<i>Screw M8x30 DIN 6921-8,8</i>	6
65	232108008	<i>Nut M8 DIN 6926 Kl.8</i>	12
66	222008035	<i>Screw M8x35 DIN 6921-8,8</i>	6



## CUTTING PAN DRIVE SYSTEM

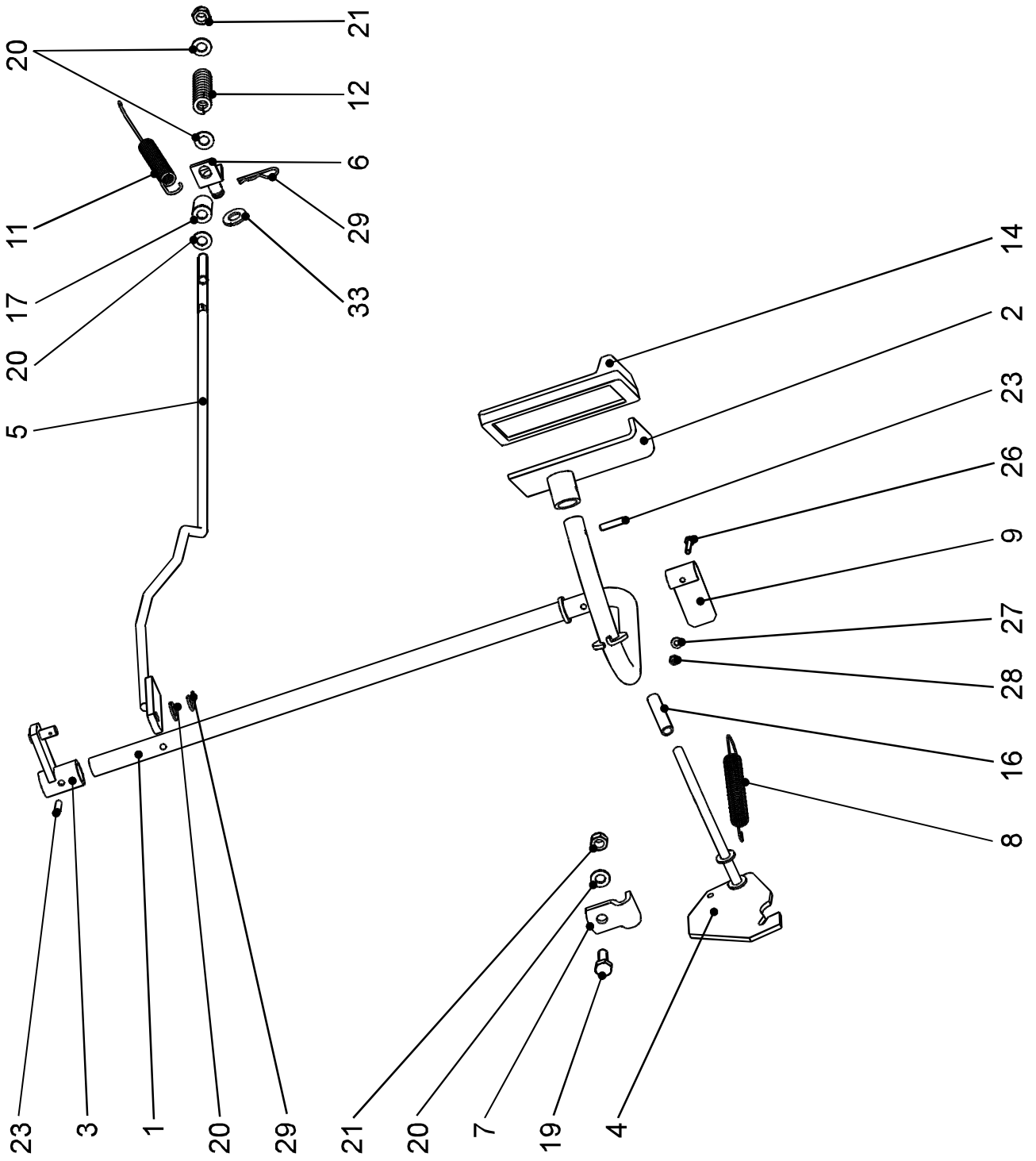
<i>position</i>	<i>part no.</i>	<i>name</i>	<i>qty.</i>
K20/102HI			
K22/102HXI			
3	204958037	Blade drive plate assy	1
4	195800954	Cog pulley assy	2
4,1	195800887	Pulley 28z	2
4,2	201878011	Bearing 6203-2RS P6	2
4,3	275100040	Locking ring 40 DIN 472	2
5	993663	Pulley 28z	2
20	105800946	Pulley support	1
21	105800945	Pulley support	1
23	78573	Washer	2
25	505900043	Washer 12,4/50/3	1
30	204056386	Washer	1
36	105800947	Holder	1
38	903606	Pulley	1
42	105700013	Belt cover	1
44	410201760	Cog belt 20DS/8M-1760	1
46	320870	Spring	1
59	267476	Screw M10x25 DIN 933-8,8	1
60	220010045	Screw M10x45 DIN 933-8,8	1
62	281446	Nut M10 DIN 985 KI.8	1
67	282557	Nut M12 DIN 985 KI.8	6
69	246235	Screw M8x25 DIN 933-8,8	1
70	203258354	Screw M6x16 DIN 912-8,8	3
72	280885	Nut M8 DIN 985 KI.8	2
73	291500	Washer 8,4 DIN 125 A	1
74	202114	Spring washer 10 DIN 127 B	1
75	105800863	Rubber washer 6,4	3
76	290389	Washer 6,4 DIN 125 A	1
77	292061	Washer 10,5 DIN 125 A	1
78	283118	Nut M6 DIN 985 KI.8	1
79	271030064	Washer 6,4 BN 737	3
80	240306016	Screw M6x16 DIN 603-6,8	1
84	203056019	Cover holder	1
85	254067	Screw M5x12 DIN 933-8,8	2
86	285912	Nut M5 DIN 985 KI.8	2
87	203125377	Washer 5x20 BN 732	2
88	206056736	Pulley cover	1
89	203125378	Screw M4x12-4,6 BN 354	2
90	201003	Spring washer 8 DIN 127 B	1
91	105800944	Plate	1
92	785884	Pulley W3500-3712	1
93	105800931	Bushing	1
94	105800943	Belt retainer	1
95	224730	Nut M8 DIN 439 B KI.04	1
96	298761	Washer 8,4 DIN 7349	1
97	13783	Engagement lever	1
98	221850	Screw M8x50 DIN 931-8,8	1
99	105800928	Cog pulley pin	2
100	293172	Washer 13 DIN 125 A	2
101	205010681	V-Belt 17x1350 Li (B53)	1
110*	202119103	Cutting system, Complete 536954102063	1

\* - without V-Belt pos. 101



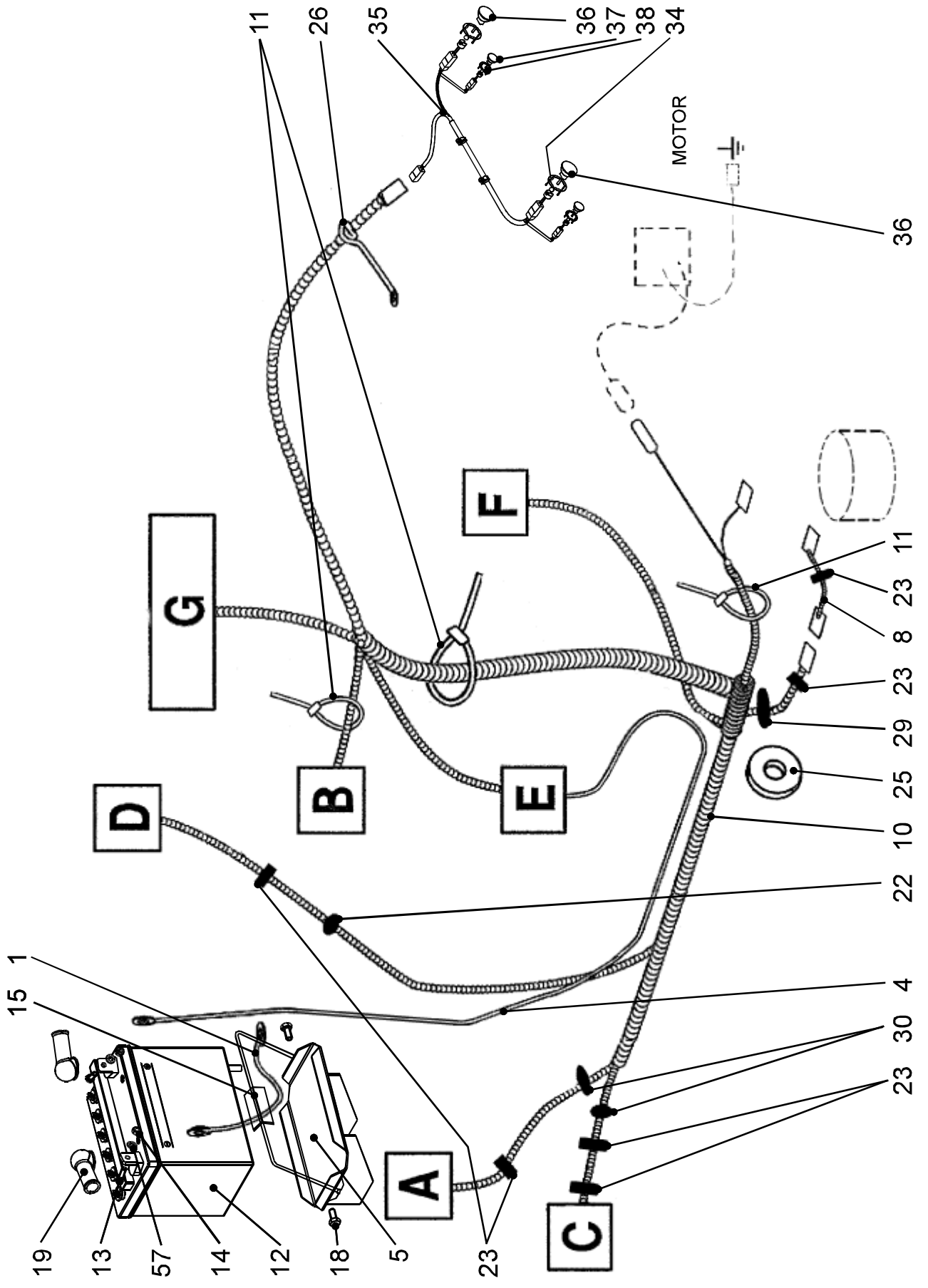
## OPERATION TRAVEL PEDALS

position		part no.	name	qty.
K20/102HI	K22/102HXI			
1	1	200958752	Travel pad weldment	1
2	2	203958202	Travel pedal, Front	1
3	3	200958756	Travel pedal, Rear	1
4	4	200958758	Diagonal shaft	1
5	5	200958760	Shaft	1
6	x	200958755	Tie rod	1
x	6	203958145	Tie rod	1
7	x	201958399	Bypass rod	1
x	7	204956041	Bypass rod	1
11	11	200058606	Spacer	1
13	13	203958216	Formed link	1
14	14	200058594	Pin	1
15	x	200058618	Pin	1
x	15	203056211	Pin	1
19	x	201058193	Lever	1
x	19	204056447	Bypass lever K62	1
20	x	200058634	Bypass rod	1
x	20	204056448	Bypass rod	1
x	21	719422	Damper XP-3293	1
x	22	29425	Bushing	2
24	24	202056153	Rubber cover	1
25	25	406901	Rubber cover	1
26	26	204056342	Hub cap 6/30	1
28	28	291610	Spring pin 5x22 DIN 1481	2
29	29	203126311	Spring pin 5x26 ISO 8748	1
31	31	292061	Washer 10,5 DIN 125 A	3
32	32	282218	Cotter pin 2x18 DIN 94	2
33	33	200296000	Washer 9 DIN 126	1
34	34	255530	Cotter pin 2,5x18 DIN 94	2
x	36	208263	Stirrup 7 DIN 6799	1
x	37	201780006	Washer 6,4 DIN 735	1
38	38	290389	Washer 6,4 DIN 125 A	2
39	39	200208243	Stirrup 4 DIN 6799	1
40	40	201852112	Washer 6,4 DIN 137 A	1
42	42	200258742	Cotter pin 1,6x12 DIN 94	1
x	43	280885	Nut M8 DIN 985 Kl.8	2
44	44	272503	Nut M8 DIN 934 Kl.8	1
45	45	204208605	Screw M8x60 DIN 933-8,8	1
46	x	246235	Screw M8x25 DIN 933-8,8	1
x	47	245124	Screw M8x30 DIN 933-8,8	2
x	48	273625	Nut M10 DIN 934	2
49	49	201878008	Washer 10,5 BN 735	1
50	50	201852111	Washer 10,5 DIN 137 A	1



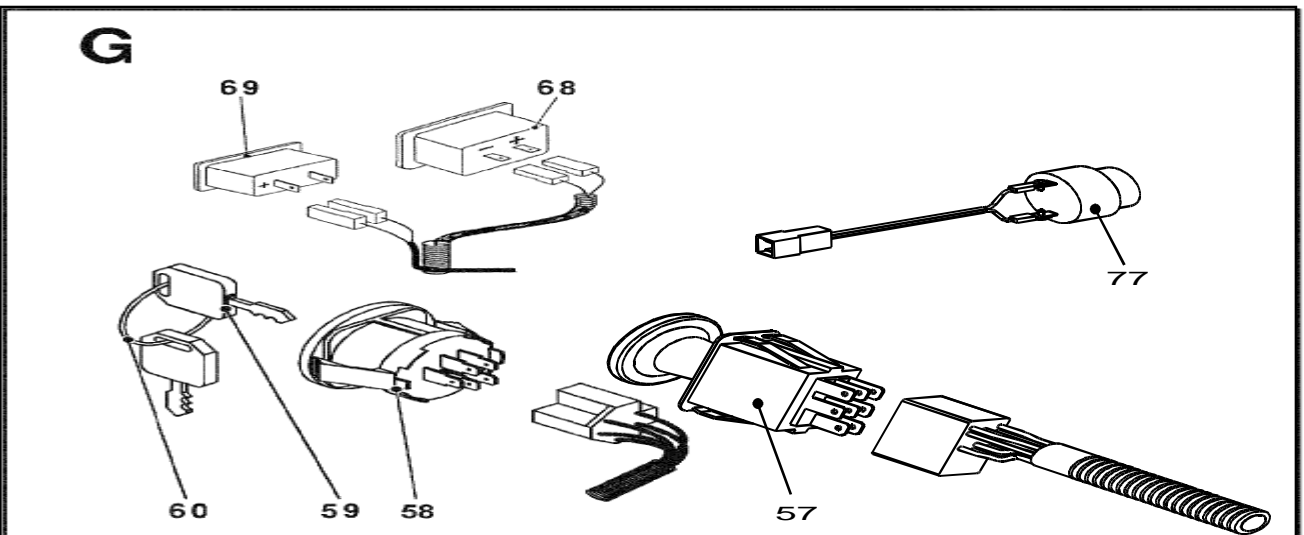
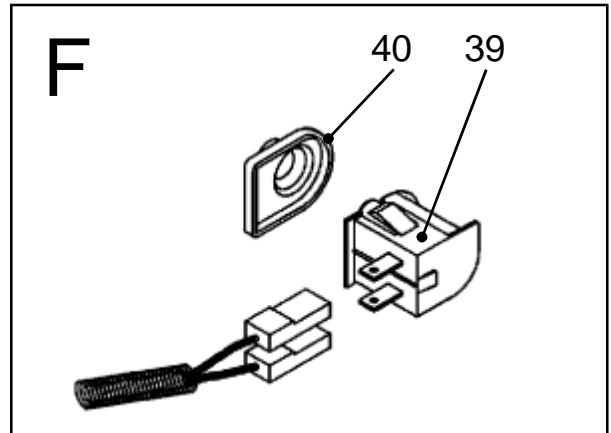
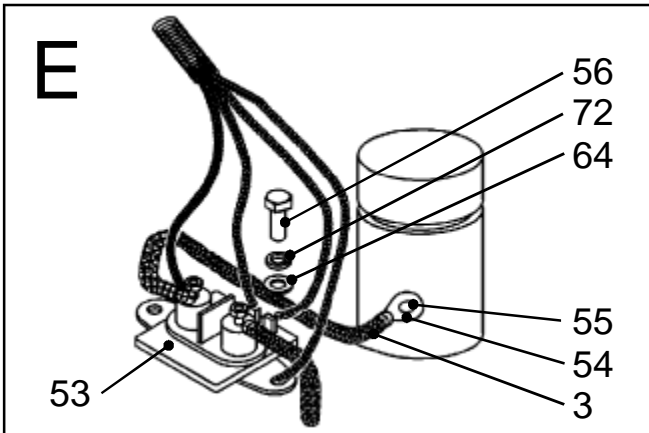
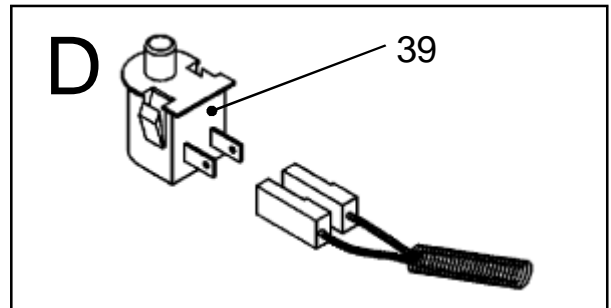
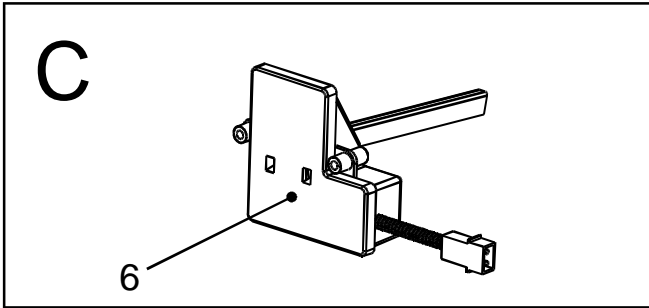
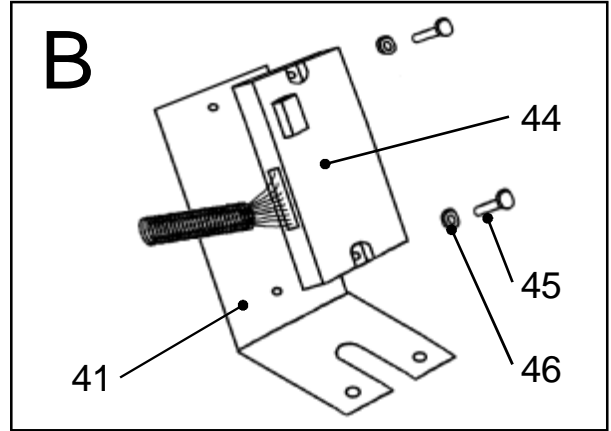
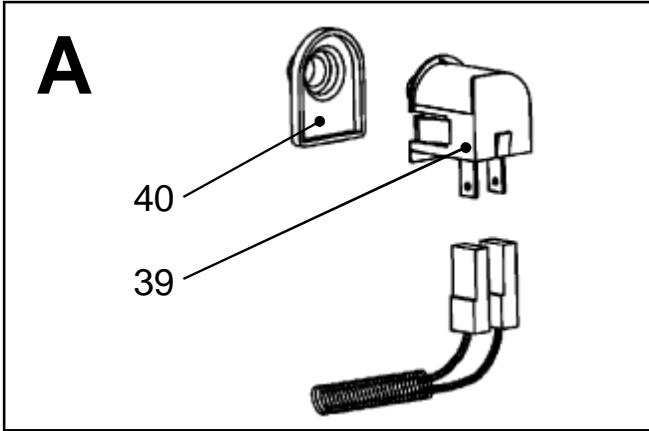
## OPERATION BRAKE

position		part no.	name	qty.
K20/102HI	K22/102HXI			
1	1	200958707	Brake-Shaft	1
2	2	195800998	Pedal	1
3	3	200958754	Brake-Lever	1
4	4	195800964	Hand brake lever	1
5	5	200958651	Brake connecting rod	1
6	6	200958761	Bracket	1
7	7	206956220	Parking brake lever clamp	1
8	8	60280	Hand brake spring	1
9	9	105800975	Spring lever	1
11	11	200058690	Spring	1
12	12	54340	Brake spring	1
14	14	411312	Pedal pad	1
16	16	406560	Cap	1
x	17	203056212	Spacer	1
19	19	244563	Screw M8x20 DIN 933-8,8	1
20	x	291500	Washer 8,4 DIN 125 A	5
x	20	291500	Washer 8,4 DIN 125 A	4
21	21	280885	Nut M8 DIN 985 Kl.8	2
23	23	291610	Spring pin 5x22 DIN 1481	2
26	26	220004025	Screw M4x25 DIN 933-8,8	1
27	27	200090	Washer 4,3 DIN 125A	1
28	28	284240	Nut M4 DIN 985 Kl.8	1
29	29	200059136	Cotter pin 1,8x36	2
33	33	292061	Washer 10,5 DIN 125 A	1



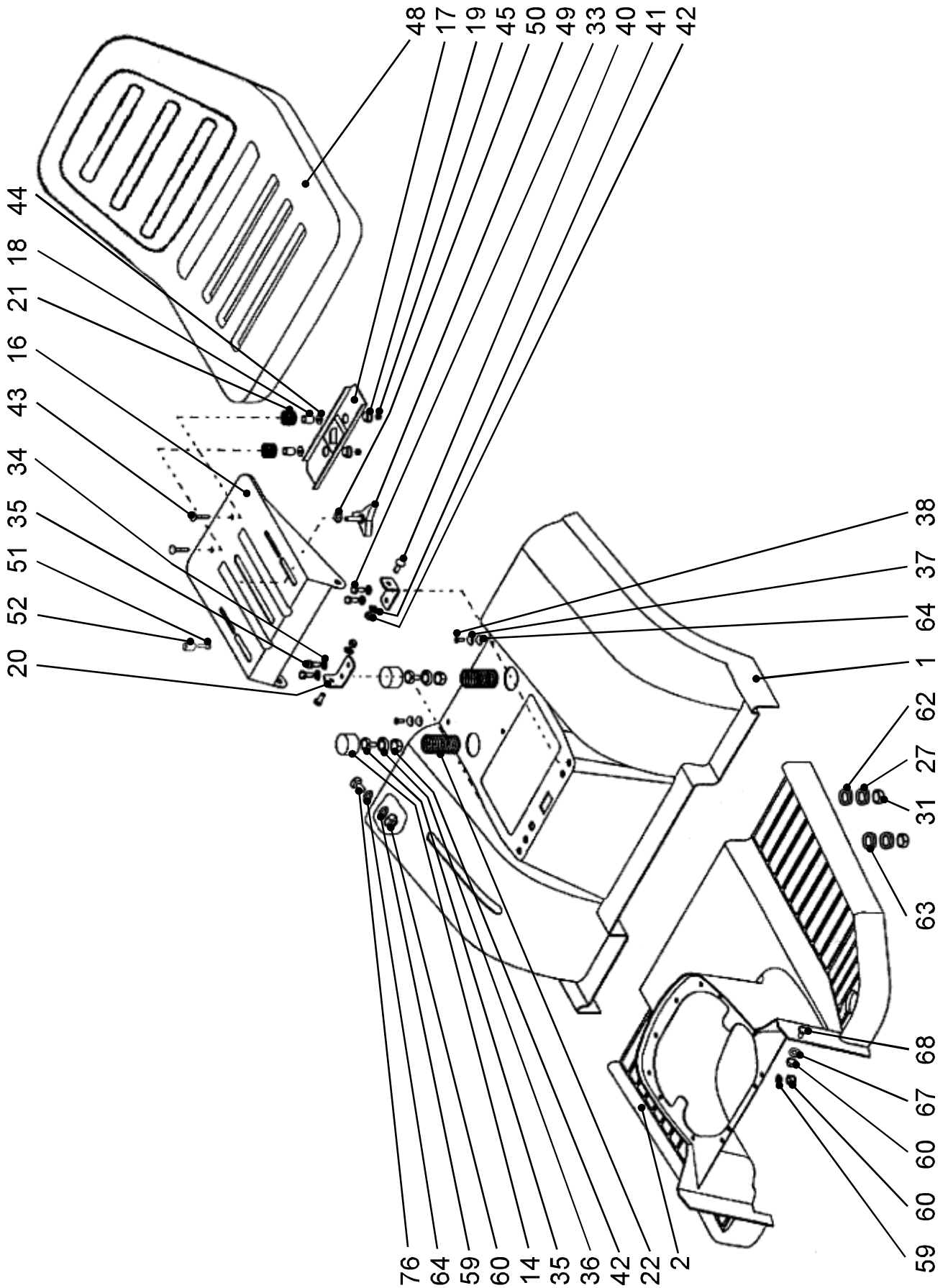
## ELECTRICAL WIRING HARNES

<i>position</i>	<i>part no.</i>	<i>name</i>	<i>qty.</i>
K20/102HI			
K22/102HXI			
1	204958054	Battery cable negative	1
4	204958053	Battery cable positive	1
5	204958056	Battery support	1
8	195800914	Clutch harness with diode	1
10	209956637	Wiring harness-09	1
11	323356	Cable ties RT 360	3
12	866712	Battery 12V-22Ah	1
13	284449	Screw M6x16 DIN 933-8,8	2
14	271942	Nut M6 DIN KI.8	2
15	207956431	Battery holder	1
18	243441	Screw M8x16 DIN 933-8,8	2
19	652388	Rubber boot 16x15,4	2
21	203800004	Bushing 16x2 KD7	1
22	430595	Bushing 9x1,5 KD 712	1
23	829191	Clip-Snap 1903-00-F/A	6
24	211055892	Nylon clips-adhesive	2
25	890670	Cap	1
26	59004	Cable holder	1
29	820699	Bushing 22x2	1
30	820002202	Bushing 18x2	2
34	207100449	Lamp socket MR16	2
35	207956402	Light wiring harness	1
36	207100451	Light bulb Ø50mm 12V 10W 38°	2
37	207100452	Light bulb Ø30mm 12V 10W 30°	2
38	207100450	Lamp socket MR11	2
57	290389	Washer 6,4 DIN 125 A	2



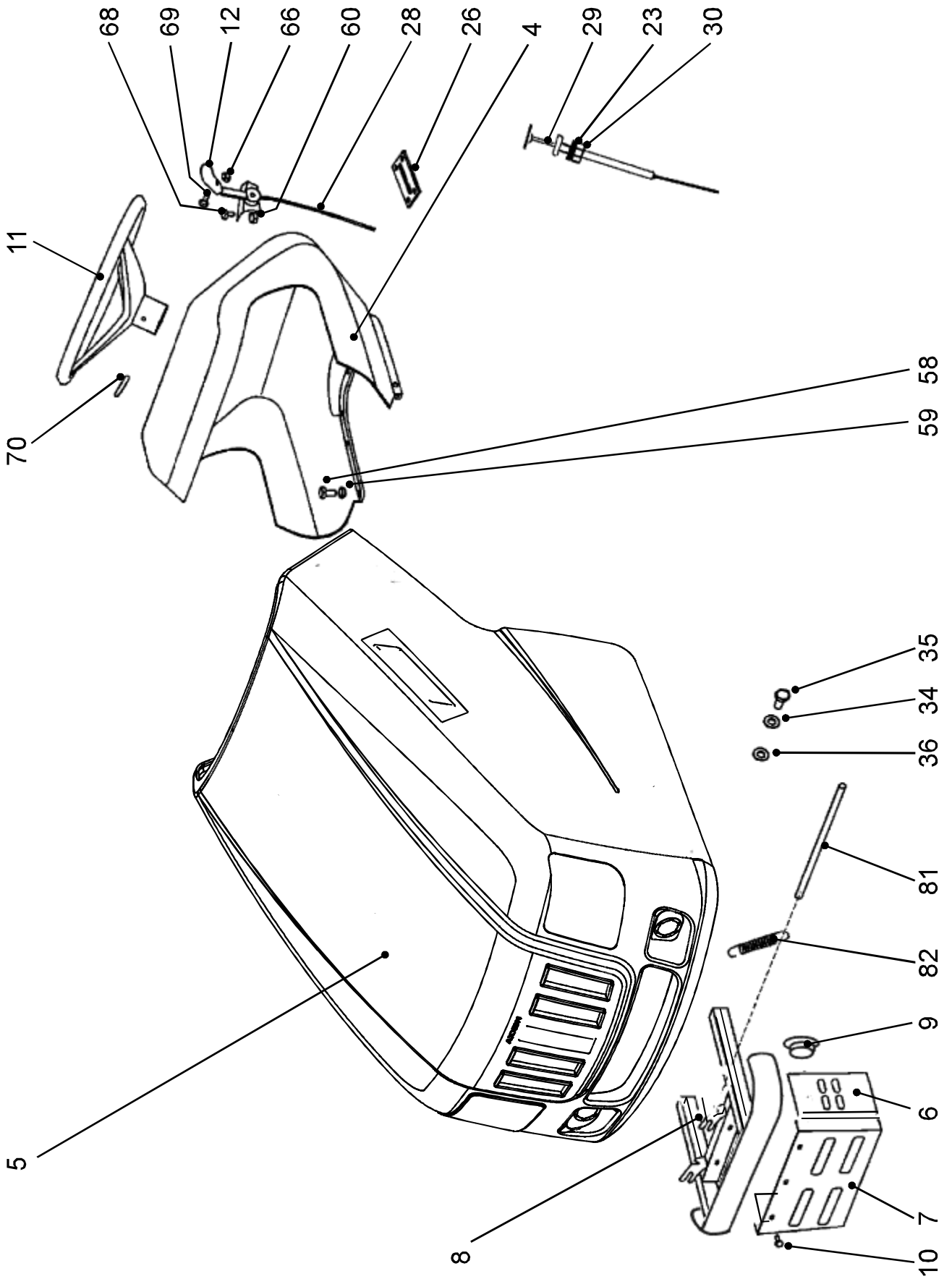
## ELECTRICAL ACCESSORIES

<i>position</i>	<i>part no.</i>	<i>name</i>	<i>qty.</i>
K20/102HI			
K22/102HXI			
3	195800916	<i>El.starter lead</i>	1
6	200958656	<i>Switch-complete</i>	1
39	877943	<i>Switch Delta 6440-04</i>	3
40	505900049	<i>Protective cover Delta 9910</i>	2
41	200058252	<i>Module holder</i>	1
44	204958025	<i>Control modulus - 05</i>	1
45	201852333	<i>Screw 2,9x13 DIN 7981 Z</i>	2
46	201852334	<i>Washer 3 DIN 125 A</i>	2
53	821117	<i>Solenoid 94255/12V - 150A</i>	1
54	453332	<i>Rubber boot 16x11</i>	1
55	277816	<i>Nut W 1/4-20</i>	1
56	247357	<i>Screw M6x12 DIN 933-8,8</i>	2
57	204059307	<i>Locking pull switch</i>	1
58	200830600	<i>Ignition switch Delta PN 6900-47</i>	1
59	200800001	<i>Key 803 781</i>	2
60	304909	<i>Ring 406-15/40</i>	1
64	290389	<i>Washer 6,4 DIN 125 A</i>	2
68	205059317	<i>Hourmeter</i>	1
69	505900108	<i>Ampermeter</i>	1
72	200442	<i>Washer 6 DIN 127 B</i>	2
77	209023650	<i>Buzzer</i>	1



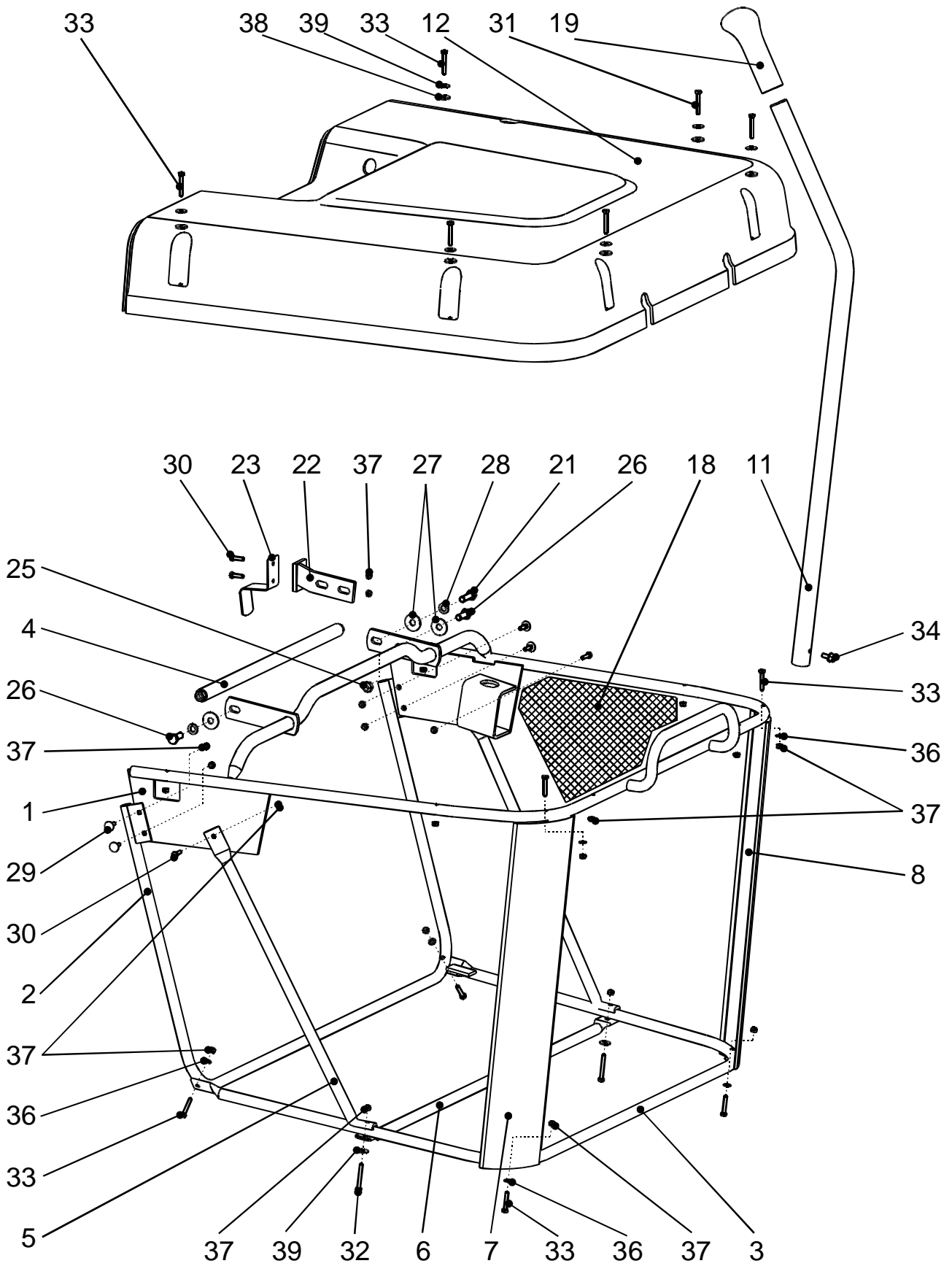
## BODY ASSEMBLY - FENDER / SEAT

position		part no.	name	qty.
K20/102HI	K22/102HXI			
1	1	201058080	Fender	1
2	x	200057102	Footrest assy	1
x	2	203056230	Footrest assy	1
3	3	201058111	Battery box	1
14	14	407121	Cover SC 1 1/2	2
16	16	105800939	Support-Seat	1
17	17	105800938	Bracket	1
18	18	105800935	Spacer-Split	2
19	19	2156	Bushing	2
20	20	105800940	Seat support bracket	2
21	21	200058306	Spring-Seat	2
22	22	98692	Spring	2
27	27	292061	Washer 10,5 DIN 125 A	4
31	31	281446	Nut M10 DIN 985 Kl.8	4
33	33	246235	Screw M8x25 DIN 933-8,8	1
34	34	201003	Washer 8 DIN 127 B	4
35	35	244563	Screw M8x20 DIN 933-8,8	5
36	36	298760	Washer 8,4 DIN 9021 B	2
37	37	268774	Washer 5,3 SN 213912	2
38	38	204200001	Screw M5x16 DIN 7991-10,9	2
40	40	74690	Seat support screw	2
41	41	291500	Washer 8,4 DIN 125 A	2
42	42	280885	Nut M8 DIN 985 Kl.8	4
43	43	240306030	Screw M6x30 DIN 603-6,8	2
44	44	298210	Washer 6,4 DIN 9021 B	2
45	45	283118	Nut M6 DIN 985 Kl.8	3
48	48	200059068	Seat	
49	49	203150000	Adj. knob KRG	2
50	50	290642	Washer 8 DIN 137 A	2
51	51	222008020	Screw M8x20 DIN 6921-8,8	2
52	52	201058223	Spacer	2
59	59	239448	Washer 5,3 DIN 9021 B	12
60	60	285912	Nut M5 DIN 985 Kl.8	14
62	62	105800870	Rubber washer 5	2
63	63	105800864	Rubber washer 2	2
64	64	105800862	Washer 5	8
67	67	289828	Washer 5,3 DIN 125 A	2
68	68	254505016	Screw M5x16 DIN 965A-4,8	2
76	76	207086	Screw M5x16 DIN 603-6,8	6



## BODY ASSEMBLY - HOOD

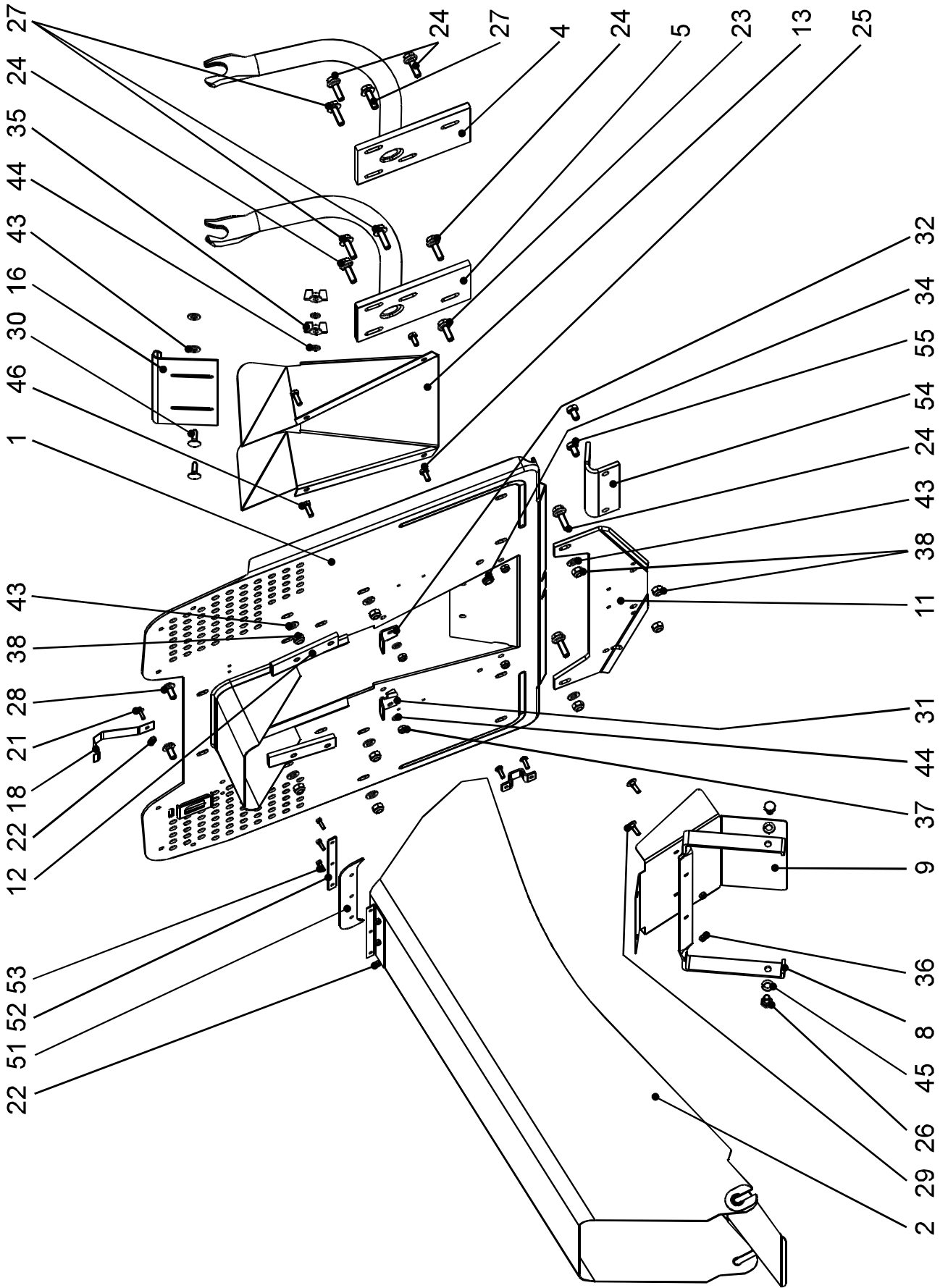
<i>position</i>	<i>part no.</i>	<i>name</i>	<i>qty.</i>
K20/102HI			
K22/102HXI			
4	207056973	Panel-Dash	1
5	207956393	Hood 2V	1
6	204056395	Side cover	2
7	204958028	Muffler shield	1
8	204958029	Bumper	1
9	305025	Hub cap GL 50x1-2,5	2
10	259314	Screw 4,2x13 Eco-drill DIN 7504 K	9
11	204958063	Steering wheel	1
12	84414	Throttle knob	1
23	201852111	Washer 10 DIN 137 A	1
26	105800812	Brace	1
28	770880	Throttle lever assy	1
29	978450	Choke-capro	1
30	505900084	Nut 3/8"-24	1
34	201003	Washer 8 DIN 127 B	4
35	244563	Screw M8x20 DIN 933-8,8	4
36	298760	Washer 8,4 DIN 9021 B	4
58	220005020	Screw M5x20 DIN 933-8,8	6
59	239448	Washer 5,3 DIN 9021 B	6
60	285912	Nut M5 DIN 985 KI.8	4
66	284240	Nut M4 DIN 985 KI.8	1
68	254505016	Screw M5x16 DIN 965A-4,8	4
69	250004014	Screw M4x14 DIN 84 A	1
70	204160001	Spring pin 6x45 ISO 8750	1
81	105800818	Holder	1
82	105800801	Spring	1



## GRASS COLLECTOR ASSEMBLY 300L

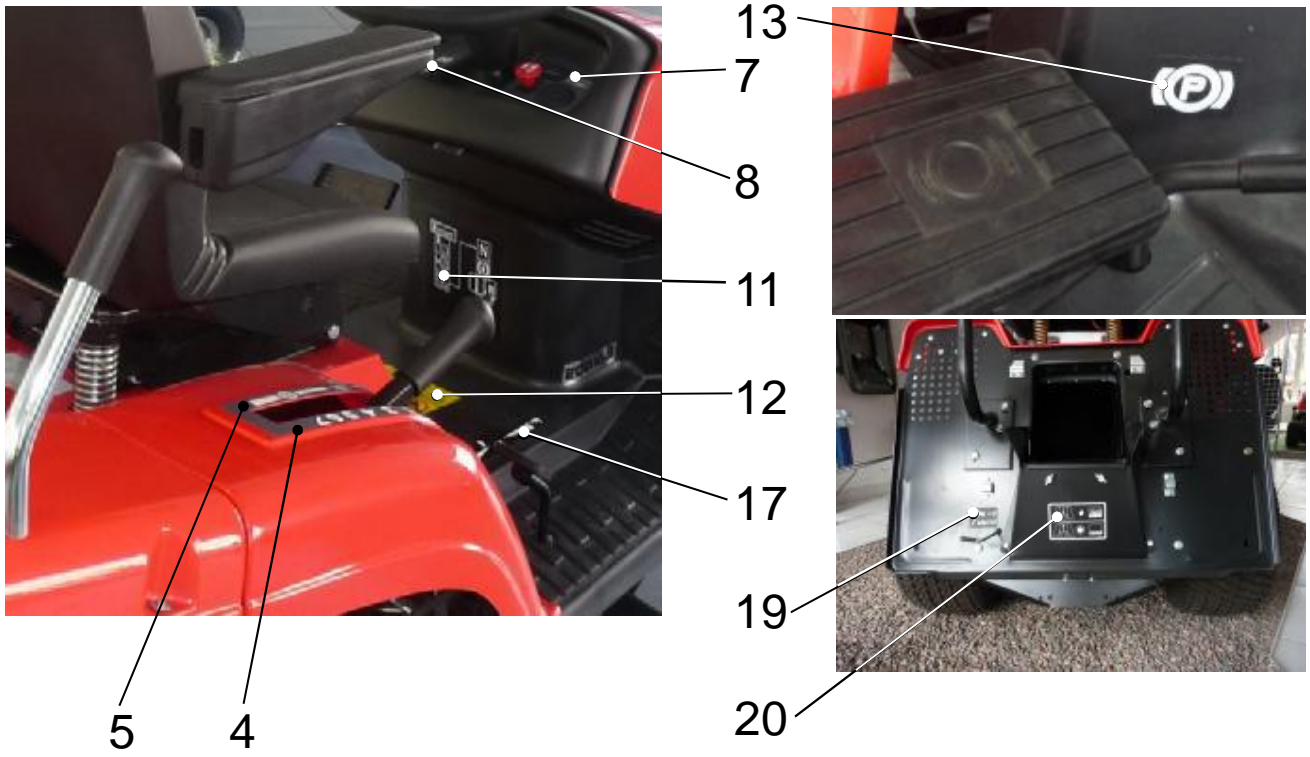
<i>position</i>	<i>part no.</i>	<i>name</i>	<i>qty.</i>
K20/102HI			
K22/102HXI			
1	201958328	Top frame	1
2	975249	Front frame	1
3	200958657	Bottom frame	1
4	978604	Lift handle	1
5	26048	Brace	2
6	24937	Connecting brace	1
7	60269	Corner support-Left	1
8	19063	Corner support-Right	1
11	105800952	Dumping lever	1
12	201058089	Collector cover	1
18	200058278	Grass collector bag 2000	1
19	489951	Handle grip, Dump lever	1
21	246235	Screw M8x25 DIN 933-8,8	1
22	201958329	Spring holder	1
23	105800918	Collector spring, Interlock	1
25	280885	Nut M8 DIN 985 KI.8	1
26	244563	Screw M8x20 DIN 933-8,8	2
27	298760	Washer 8,4 DIN 9021 B	3
28	201003	Washer 8 DIN 127 B	2
29	207086	Screw M5x16 DIN 603-6,8	4
30	254067	Screw M5x16 DIN 933-8,8	4
31	272635	Screw M5x30 DIN 933-8,8	4
32	283250	Screw M5x35 DIN 933-8,8	2
33	286605	Screw M5x25 DIN 933-8,8	8
34	505900065	Screw M6x12 DIN 7500 D	1
36	289828	Washer 5,3 DIN 125 A	6
37	285912	Nut M5 DIN 985 KI.8	22
38	105800862	Rubber washer 5	6
39	239448	Washer 5,3 DIN 9021 B	8
41	201958325	Grass collector complete	1

# TUNNEL ASSEMBLY



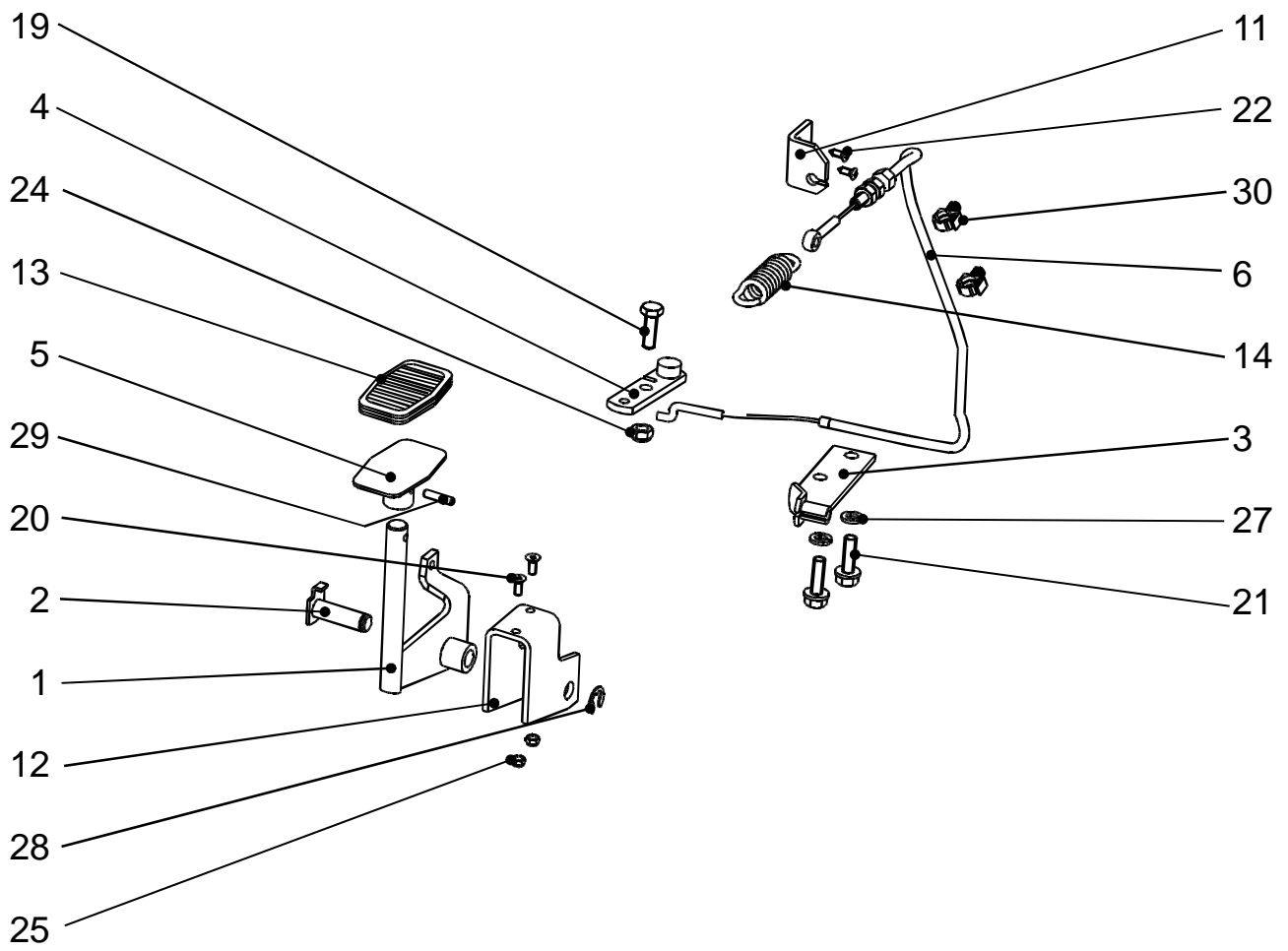
## TUNNEL ASSEMBLY

position		part no.	name	qty.
K20/102HI	K22/102HXI			
1	1	200958766	Collector plate assy	1
2	x	202958270	Tunnel	1
x	2	204958067	Tunnel	1
4	4	200958652	Collector support, Left	1
5	5	200958653	Collector support, Right	1
8	8	200058627	Protective shield bracket	1
9	9	201058222	Protective shield	1
11	11	200058623	Tow hitch support	1
12	12	201115853	Reinforcing	1
13	13	201058238	Rear plate chute	1
16	16	201058237	Adjustable shield	1
18	18	209055500	Switch cover	1
21	21	253504012	Screw M4x12 Eco-fix 4,8	1
22	22	284240	Nut M4 DIN 985 KI.8	4
23	23	222008020	Screw M8x20 DIN 6921-8,8	2
24	24	213312	Screw M8x25 DIN 6921-8,8	6
25	25	247357	Screw M6x12 DIN 933-8,8	2
26	26	202359367	Screw M8x12 DIN 933-8,8	2
27	27	251691	Screw M8x25 Verb. Ripp 100	4
28	28	255108016	Screw M8x16 10,9 BN 11252	2
29	29	207086	Screw M5x16 DIN 603-6,8	2
30	30	240306016	Screw M6x16 DIN 603 Mu	2
31	31	202056033	Tunnel support, Right	1
32	32	202056034	Tunnel support, Left	1
34	34	203125379	Bushing KD 716	1
35	35	846802	Plastic wing nut 1/4"-20	2
36	36	285912	Nut M5 DIN 985 KI.8	2
37	37	283118	Nut M6 DIN KI.8	4
38	38	280885	Nut M8 DIN KI.8	7
43	43	291500	Washer 8,4 DIN 125 A	9
44	44	290389	Washer 6,4 DIN 125 A	4
45	45	201003	Washer 8 DIN 127 B	2
46	46	284449	Screw M6x16 DIN 933-8,8	2
51	51	71082	Rubber seal	1
52	52	72765	Support plate	1
53	53	262911	Screw M4x12 DIN 84A-8,8	3
54	54	200058625	Tow hitch	1
55	55	244563	Screw M8x20 DIN 933-8,8	2



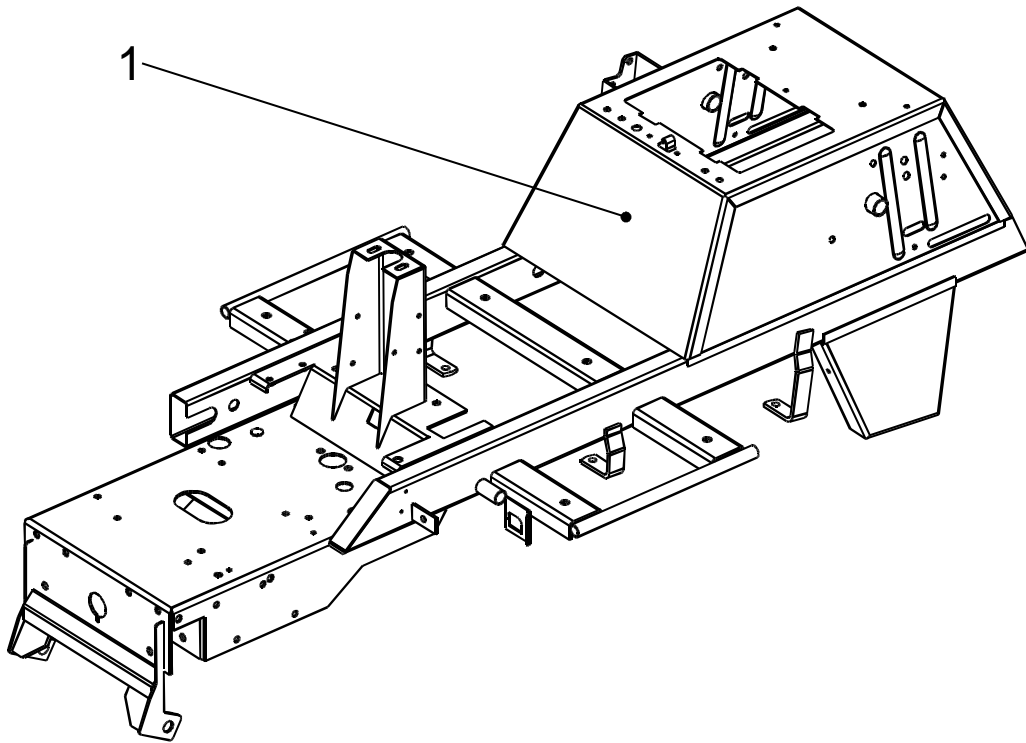
## DECALS LABELS

position		part no.	name	qty.
K20/102HI	K22/102HXI			
1	1	204056299	<i>Decal Hood</i>	2
4	4	105800819	<i>Label of lifting, Right</i>	1
5	5	697521	<i>Label of lifting, Left</i>	1
7	7	207056974	<i>Panel label, Right</i>	1
8	8	207058802	<i>Panel label, Left</i>	1
11	11	686620	<i>Users information</i>	1
12	12	668041	<i>Safety label</i>	1
13	13	689315	<i>Brake locking</i>	1
15	15	639144	<i>Decal Arrow</i>	1
16	16	204056345	<i>Battery label</i>	1
17	17	641179	<i>Travel label</i>	1
18	18	203056254	<i>Safety decal</i>	1
19	x	200058280	<i>Decal Bypass</i>	1
x	19	204048845	<i>Decal Bypass</i>	1
20	20	201058253	<i>Rear plate chute decal</i>	1
22	22	201059075	<i>Decal B&amp;S</i>	1
28	28	601920	<i>Safety label</i>	2
31	x	205056684	<i>Decal 20/102H "L"</i>	1
x	31	207056959	<i>Decal 22/102HX "L"</i>	1
32	32	203056247	<i>Decal Karsit</i>	1
33	x	205056683	<i>Decal 20/102H "P"</i>	1
x	33	207056960	<i>Decal 22/102HX "P"</i>	1



## OPERATION DIFFERENTIAL LOCK

<i>position</i>	<i>part no.</i>	<i>name</i>	<i>qty.</i>
K22/102HXI			
1	203958141	<i>Dif. lock pedal</i>	1
2	203958139	<i>Lock pin</i>	1
3	203958143	<i>Lead</i>	1
4	203958142	<i>Control lever</i>	1
5	203958140	<i>Pedal</i>	1
6	203958138	<i>Dif. lock cable</i>	1
11	203056219	<i>Cable holder</i>	1
12	203056223	<i>Pedal bracket</i>	1
13	406901	<i>Rubber cover</i>	1
14	203056229	<i>Dif. Lock spring</i>	1
19	246235	<i>Screw M8x25 DIN 933-8,8</i>	1
20	203845122	<i>Screw M5x12 DIN 965 A-4,8</i>	2
21	203208258	<i>Screw M8x25 DIN 7500-D</i>	2
22	203204133	<i>Screw 4,2x13 DIN 7983 C</i>	2
24	280885	<i>Nut M8 DIN 985 KI.8</i>	1
25	285912	<i>Nut M5 DIN 985 KI.8</i>	2
27	201003	<i>Washer 8 DIN 127 B</i>	2
28	201208273	<i>Stirrup 9 DIN 6799</i>	1
29	291610	<i>Spring pin 5x22 DIN 1481</i>	1
30	829191	<i>Clip-Snap IN 1903-00-F/A</i>	2



## FRAME

<i>position</i>		<i>part no.</i>	<i>name</i>	<i>qty.</i>
K20/102HI	K22/102HXI			
1	x	202958705	Frame	1
x	1	203958131	Frame	1

Notes: