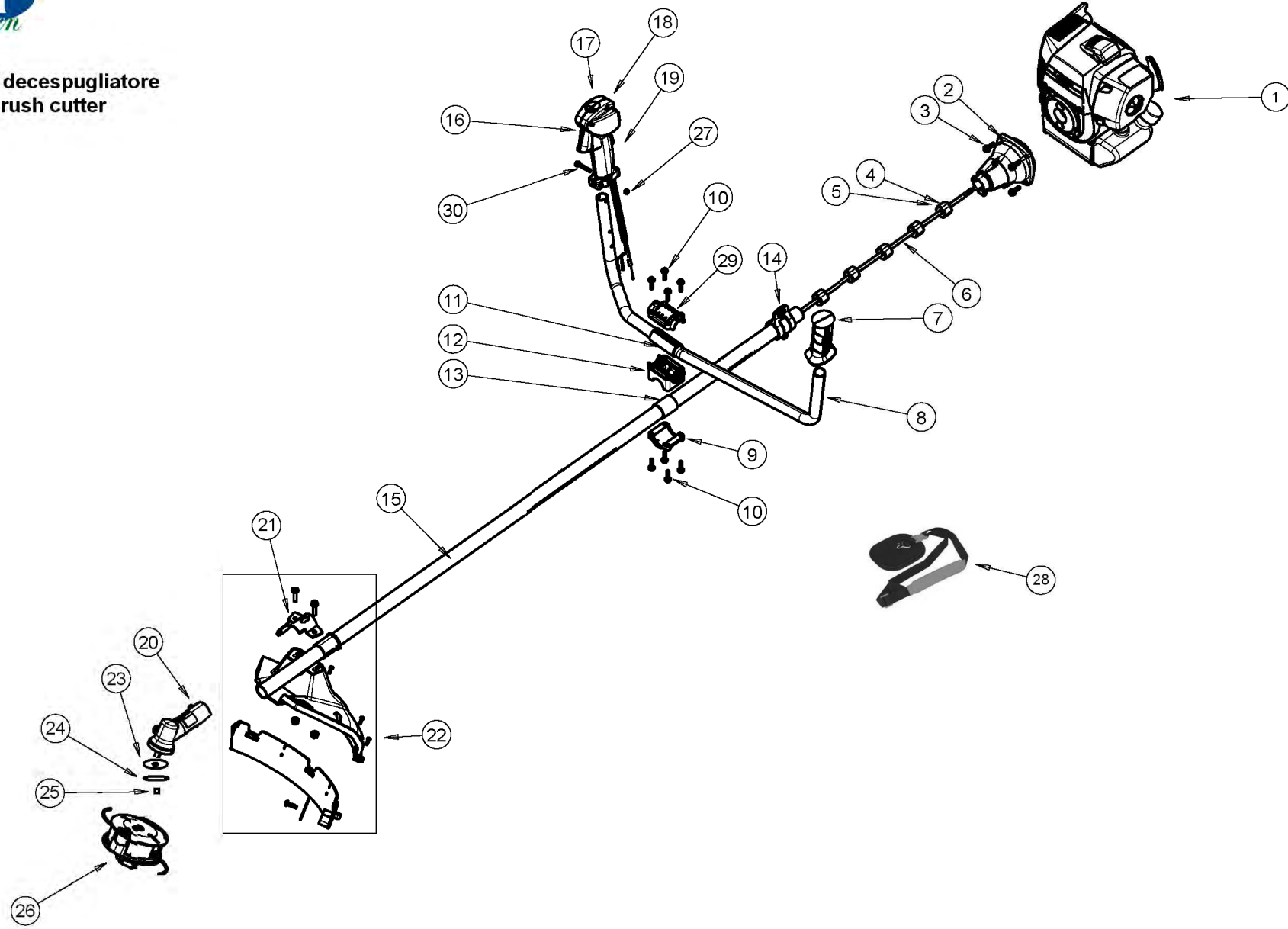




Esploso ricambi decespugliatore
Exploded view Brush cutter
TOP 48U



Disegno eseguito con C.A.D. Non sono ammesse variazioni o modifiche manuali (Drawing made with C.A.D. Any manual change or modification are forbidden).

Questo disegno e' proprietà di AMA S.p.a. Vietati uso, copia e diffusione senza autorizzazione scritta della stessa (This drawing is property of AMA S.p.a. Any use, distribution or copy is forbidden without its authorization).

Rif.	Codice	Descrizione	Q.ty
1	60151	MOTORE 48cc	1
2	55620	CAMPANA FRIZIONE CPL.	1
3	13586	VITE	4
4	55440	ANTIVIBRANTE ASTA	5
5	55441	BRONZINA ASTA	5
6	13580	ALBERO TRASMISSIONE	1
7	55160	MANOPOLA SX	1
8	13639	TUBO IMPUGNATURA	1
9	13635	ATTACCO INF. IMPUGNATURA	1
10	13588	VITE	8
11	13638	ANTIVIBRANTE TUBO	1
12	13636	ATTACCO CENTRALE IMPUGN.	1
13	55617	ANTIVIBRANTE CENTRALE	1
14	62031	GANCIO BRETELLA	1
15	73826	TUBO D.28 COMPLETO	1
16	13923-06	LEVA ACCELERATORE	1
17	69498	GRUPPO ACCELERATORE	1
18	13936	INTERRUTTORE ON/OFF	1
19	13924-06	LEVA DISINNESTO	1
20	13610	COPPIA CONICA CPL	1
21	13571	LAMIERINO	1
22	37944	PARASASSI COMPLETO	1
23	13532	FLANGIA SUPERIORE	1
24	13533	FLANGIA INFERIORE	1
25	10125	DADO	1

Ref.	Code	Description	Q.ty
1	60151	ENGINE 48cc	1
2	55620	CLUTHC DRUM ASS.BLY	1
3	13586	SCREW	4
4	55440	ANTI-VIBRATION BEARING	5
5	55441	BEARING	5
6	13580	DRIVE SHAFT	1
7	55160	HANDLE	1
8	13639	HANDLE PIPE	1
9	13635	LOWER HANDLE BRACKET	1
10	13588	SCREW	8
11	13638	PIPE ANTI-VIBRATION	1
12	13636	CENTRAL HANDLE BRACKET	1
13	55617	BAR ANTI-VIBRATION	1
14	62031	HOOK	1
15	73826	COMPLETE PIPE D.28	1
16	13923-06	THROTTLE LEVER	1
17	69498	THROTTLE HANDLE COMPLETE	1
18	13936	SWITCH ON/OFF	1
19	13924-06	SAFETY LEVER	1
20	13610	GEAR BOX	1
21	13571	GUARD BRACKET	1
22	37944	COMPLETE GUARD	1
23	13532	UPPER FLANGE	1
24	13533	LOWER FLANGE	1
25	10125	NUT	1

Rif.	Codice	Descrizione	Q.ty
26	55608	TESTINA CARICAMENTO FAC.	1
27	13933	DADO	1
28	P07086	BRETELLA	1
29	13637	ATTACCO SUP. IMPUGNATURA	1
30	13931	VITE	1

Ref.	Code	Description	Q.ty
26	55608	EASY CHARGE NYLON HEAD	1
27	13933	NUT	1
28	P07086	HARNESS	1
29	13637	UPPER HANDLE BRACKET	1
30	13931	SCREW	1

This catalog covers:

TH048D- □ S50

GRID NO.

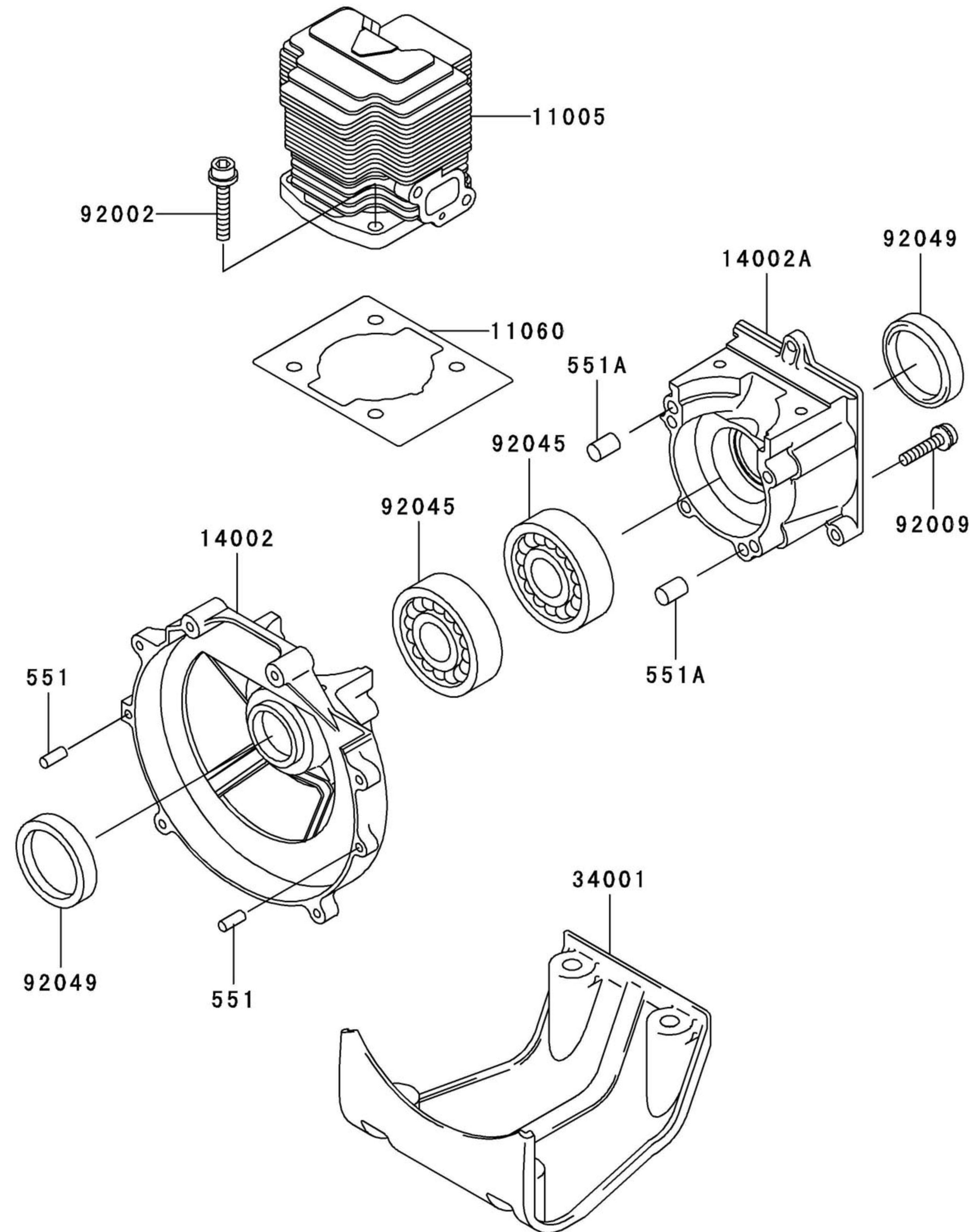
B-03

This grid covers:

CYLINDER/CRANKCASE



E0110-A060A



Ref. No.	Part No.	Description	Quantity	
			A	B
11005	11005-2123	CYLINDER-ENGINE	1	1
11060	11060-2296	GASKET,CYLINDER	1	1
14002	14002-2316	CRANKCASE	1	1
14002A	14002-2317	CRANKCASE	1	1
34001	34001-2082	STAND	1	1
92002	92002-2150	BOLT	4	4
92009	92009-2115	SCREW	4	4
92045	92045-2005	BEARING-BALL,6202C3	2	2
92049	92049-2206	SEAL-OIL	2	2
551	551A0410	PIN-DOWEL	2	2
551A	551A0610	PIN-DOWEL	2	2

This catalog covers:

TH048D- □ S50

GRID NO.

B-04

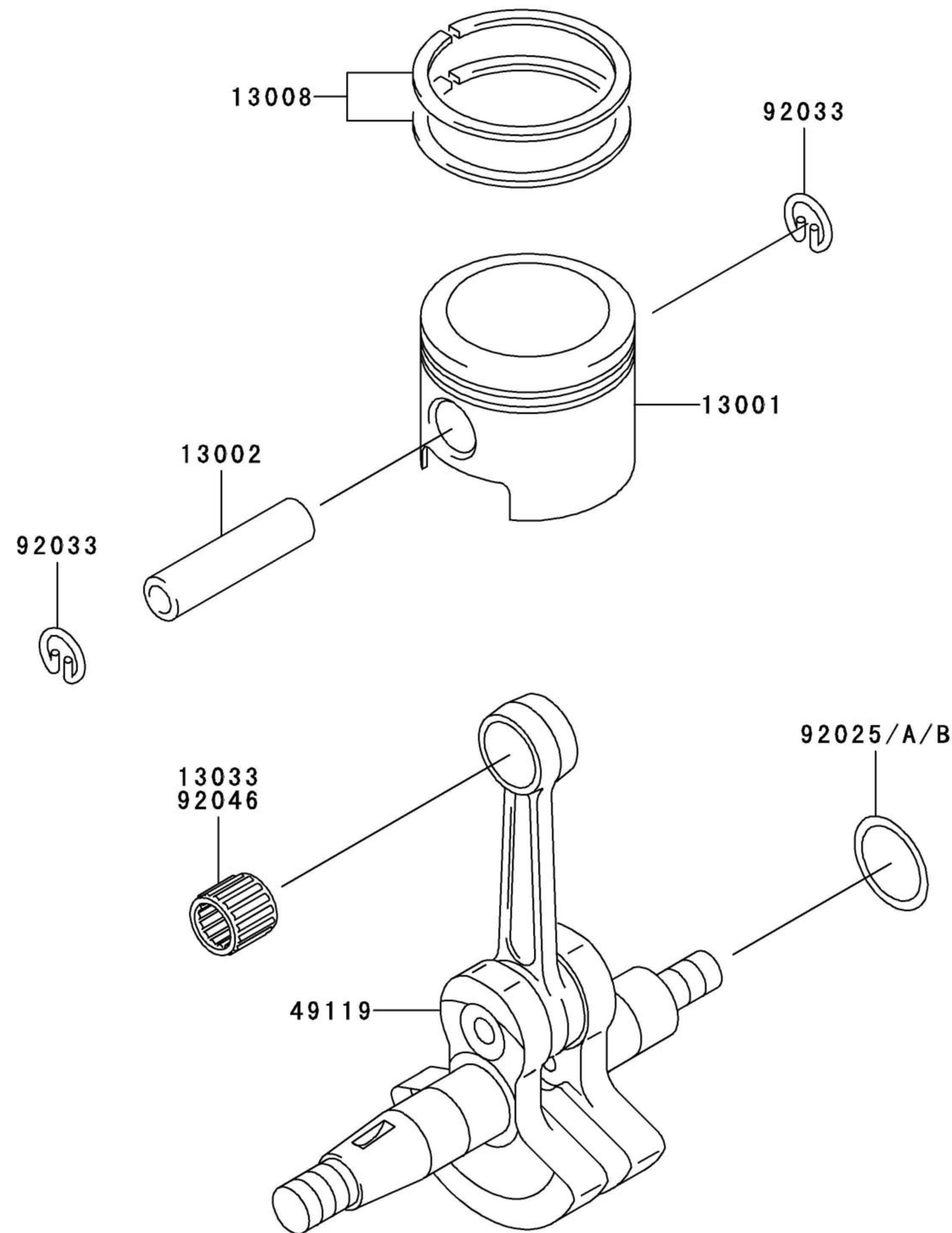
This grid covers:

PISTON/CRANKSHAFT



E0120-A054E

Ref. No.	Part No.	Description	Quantity	
			A	B
13001	13001-2141	PISTON-ENGINE	1	1
13002	13002-2067	PIN-PISTON	1	1
13008	13008-6044	RING-SET-PISTON	1	1
13033	13033-2061	BEARING-SMALL END		1
49119	49119-2173	CRANKSHAFT-ASSY	1	1
92025	92025-2135	SHIM,T=0.20	AR	AR
92025A	92025-2136	SHIM,T=0.40	AR	AR
92025B	92025-2137	SHIM,T=0.60	AR	AR
92033	92033-2058	RING-SNAP	2	2
92046	13033-2005	BEARING-NEEDLE	1	



This catalog covers:

TH048D- □ S50

GRID NO.

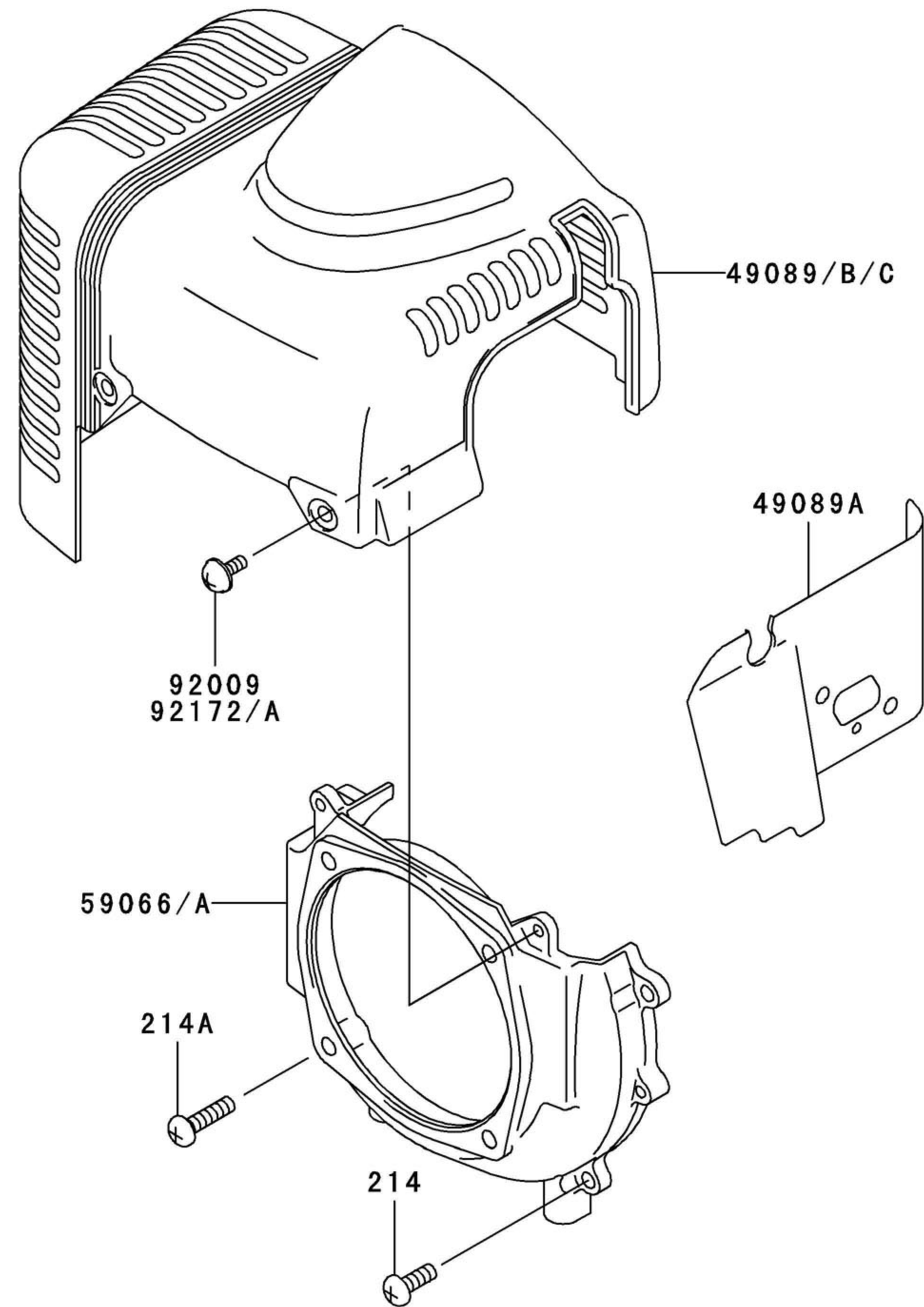
B-05

This grid covers:

COOLING-EQUIPMENT



E0150-A334Q



Ref. No.	Part No.	Description	Quantity	
			A	B
49089	49089-2385	SHROUD-ENGINE (- TH048-123604)	*	
49089A	49089-2386	SHROUD-ENGINE	1	1
49089B	49089-2553	SHROUD-ENGINE		1
49089C	49089-2553	SHROUD-ENGINE (TH048-123605 -)	1	
59066	59066-2747	HOUSING-FAN	1	
59066A	59066-2794	HOUSING-FAN		1
92009	92009-2234	SCREW,4X10	*	
92172	92172-2060	SCREW,4X10		2
92172A	92172-2060	SCREW,4X10	2	
214	214B0514	SCREW-PAN+-	3	3
214A	214B0520	SCREW-PAN+-	1	1

This catalog covers:

TH048D- □ S50

GRID NO.

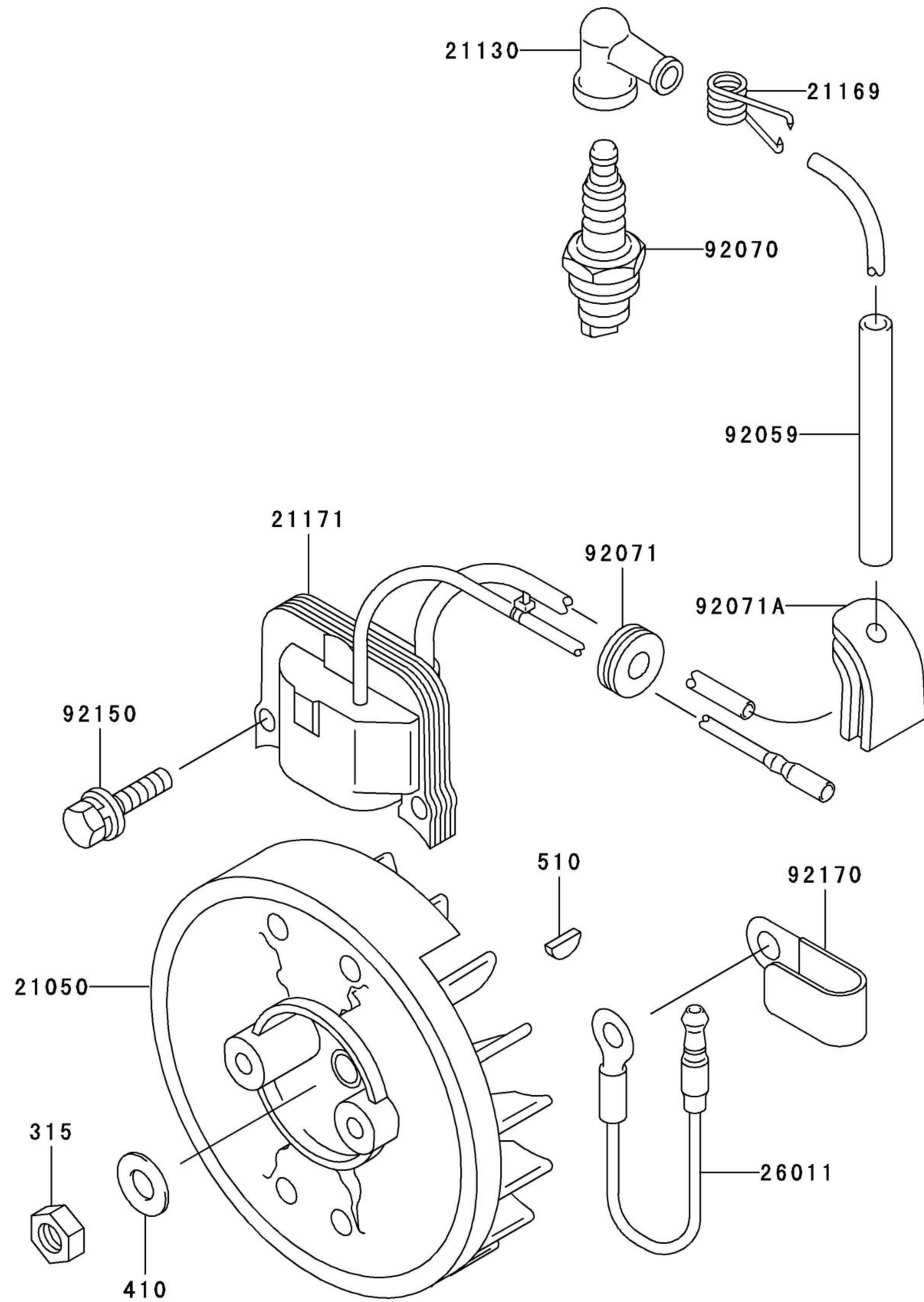
B-06

This grid covers:

ELECTRIC-EQUIPMENT



E0160-A083A



Ref. No.	Part No.	Description	Quantity	
			A	B
21050	21050-2240	FLYWHEEL	1	1
21130	21130-2056	CAP-SPARK PLUG	1	1
21169	21169-2051	TERMINAL	1	1
21171	21171-2195	COIL-ASSY-IGNITION	1	1
26011	26011-2113	WIRE-LEAD	1	1
92059	92059-2103	TUBE,6X7.4X108	1	1
92070	92070-2060	PLUG-SPARK,BMR6A(NGK),SOLID	1	1
92071	92071-2097	GROMMET	1	1
92071A	92071-2143	GROMMET,IGNITION COIL	1	1
92150	92150-2182	BOLT,5X18	2	2
92170	92170-2041	CLAMP	1	1
315	315B1000	NUT-HEX-FINE	1	1
410	410B1000	W-PLAIN-S	1	1
510	510A3100	KEY-WOODRUFF	1	1

This catalog covers:

TH048D- □ S50

GRID NO.

B-07

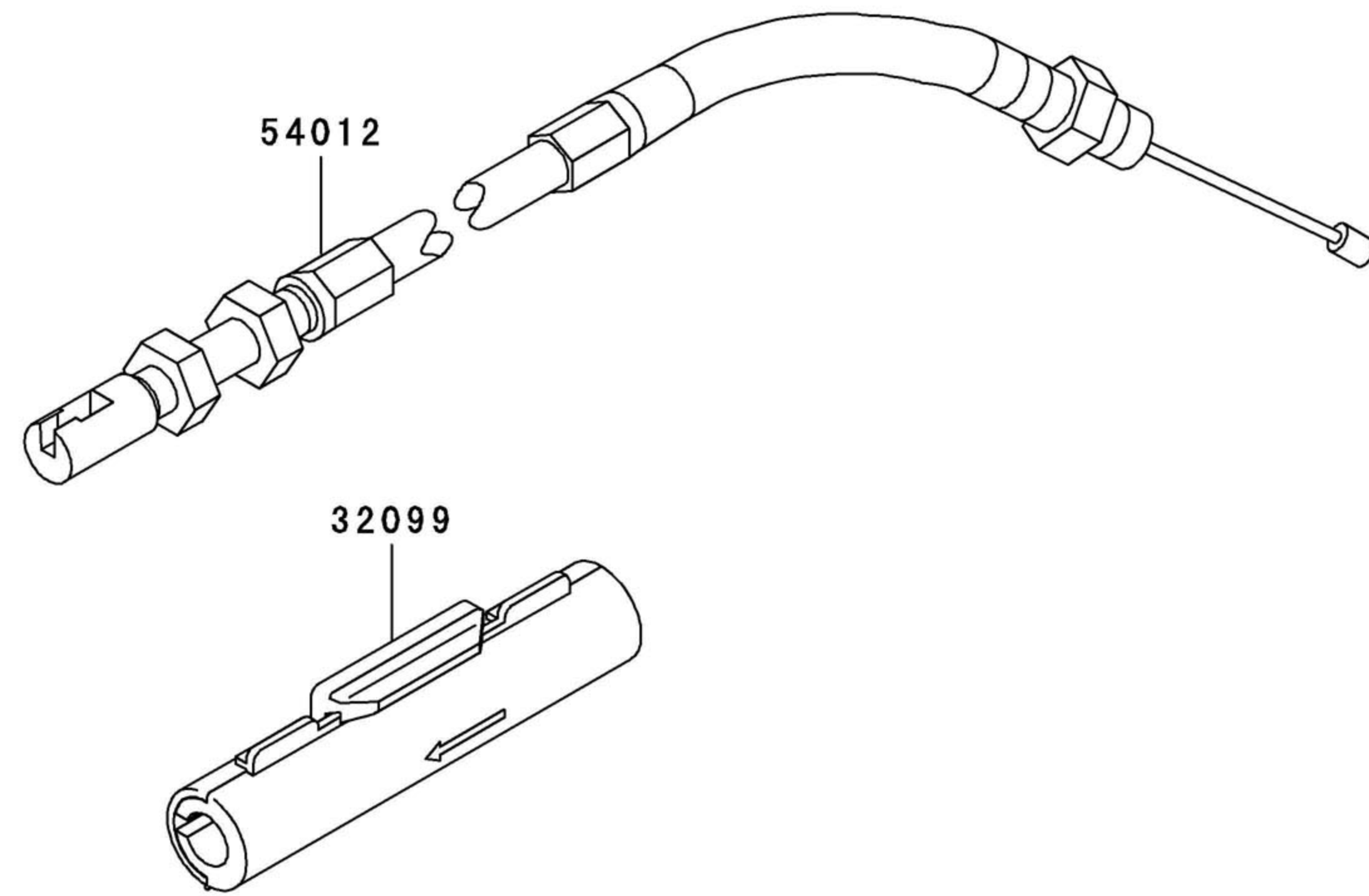
This grid covers:

CONTROL-EQUIPMENT



E0170-A239A

Ref. No.	Part No.	Description	Quantity	
			A	B
32099	32099-2326	CASE	1	1
54012	54012-2362	CABLE-THROTTLE	1	1



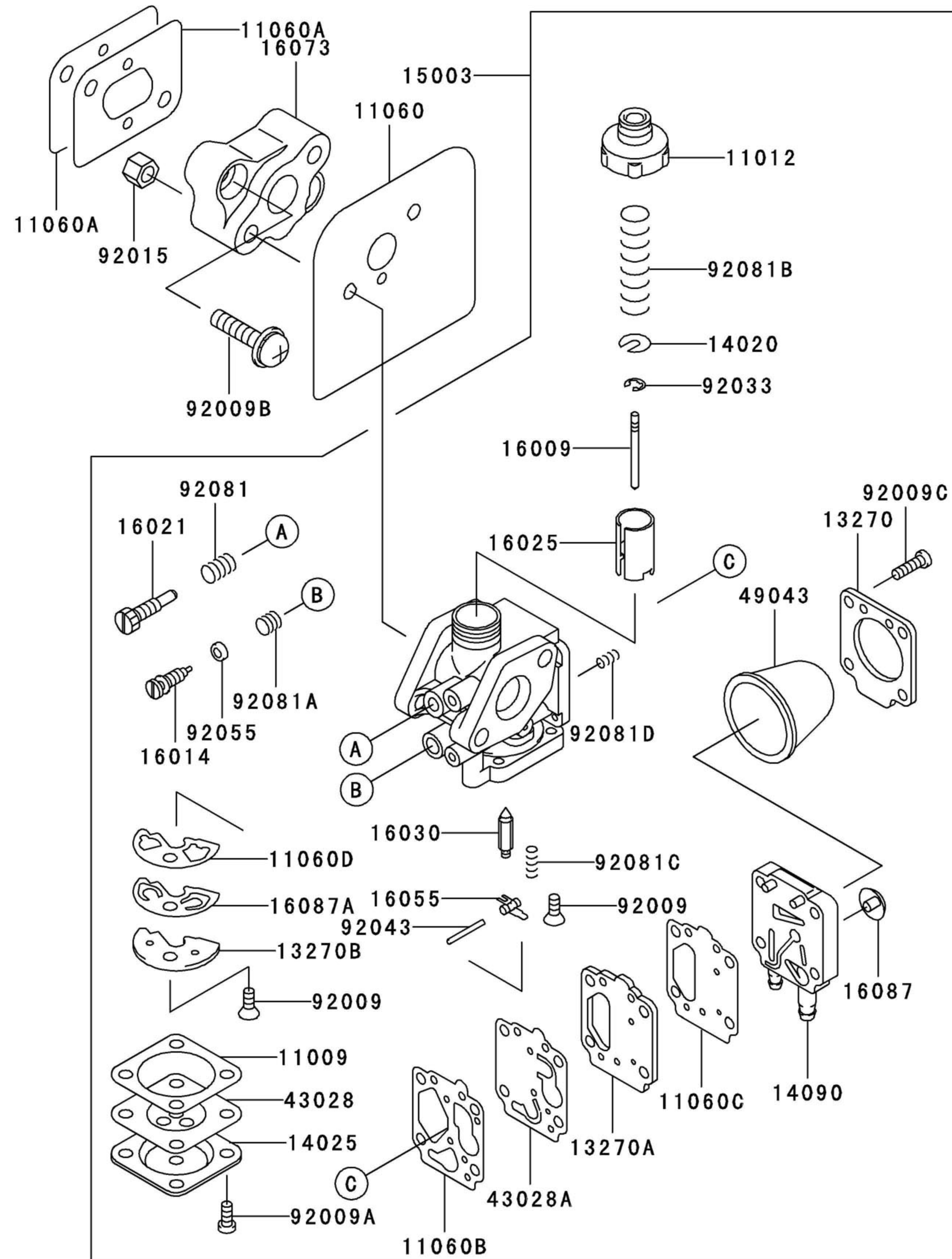
This catalog covers:
TH048D- □ S50

GRID NO.
B-08

This grid covers:
CARBURETOR



E0180-A105B



Ref. No.	Part No.	Description	Quantity	
			A	B
11009	11009-2366	GASKET	1	
11012	11012-2185	CAP,BODY	1	
11060	11060-2298	GASKET,CARBURETOR	1	
11060A	11060-2299	GASKET,INSULATOR	2	
11060B	11060-2305	GASKET	1	
11060C	11060-2306	GASKET	1	
11060D	11060-2307	GASKET	1	
13270	13270-2014	PLATE	1	
13270A	13270-2015	PLATE	1	
13270B	13270-2016	PLATE	1	
14020	14020-2009	RETAINER,VALVE	1	
14025	14025-2027	COVER	1	
14090	14090-2060	COVER	1	
15003	15003-2547	CARBURETOR-ASSY	1	
16009	16009-2114	NEEDLE-JET,#114	1	
16014	16014-2064	SCREW-PILOT AIR	1	
16021	16021-2008	SCREW-THROTTLE STOP	1	
16025	16025-2173	VALVE-THROTTLE	1	
16030	16030-2087	VALVE-FLOAT	1	
16055	13168-2118	ARM-FLOAT	1	
16073	16073-2176	INSULATOR	1	
16087	16087-2059	VALVE-CHECK	1	
16087A	16087-2060	VALVE-CHECK	1	
43028	43028-2065	DIAPHRAGM	1	
43028A	43028-2082	DIAPHRAGM	1	
49043	49043-2071	PUMP-PRIMING	1	
92009	92009-2053	SCREW	2	
92009A	92009-2061	SCREW	4	
92009B	92009-2249	SCREW,5X20	2	
92009C	92009-2361	SCREW,3X14	4	
92015	92015-2097	NUT,M5	2	
92033	92033-2070	RING-SNAP	1	
92043	92043-2099	PIN	1	
92055	92055-2067	RING-O	1	
92081	92081-2245	SPRING	1	
92081A	92081-2249	SPRING	1	
92081B	92081-2272	SPRING	1	
92081C	92081-2339	SPRING	1	
92081D	92081-2340	SPRING	1	

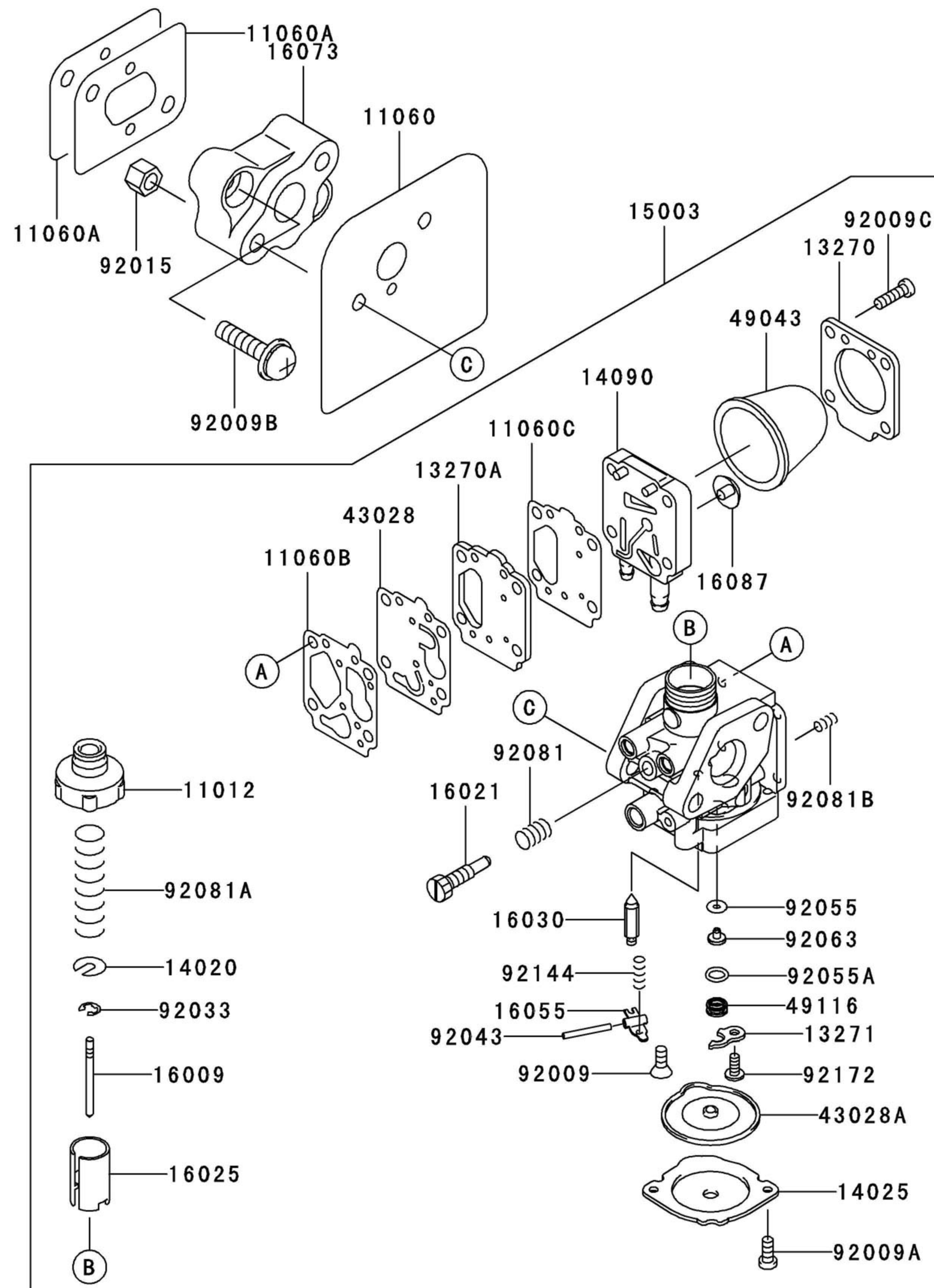
This catalog covers:
TH048D- □ S50

GRID NO.
B-09

This grid covers:
CARBURETOR



E0180-A604B



Ref. No.	Part No.	Description	Quantity	
			A	B
11012	11012-2185	CAP,BODY		1
11060	11060-2298	GASKET,CARBURETOR		1
11060A	11060-2299	GASKET,INSULATOR		2
11060B	11060-2305	GASKET		1
11060C	11060-2306	GASKET		1
13270	13270-2014	PLATE		1
13270A	13270-2015	PLATE		1
13271	13271-2247	PLATE		1
14020	14020-2009	RETAINER,VALVE		1
14025	14025-2027	COVER		1
14090	14090-2060	COVER		1
15003	15003-2938	CARBURETOR-ASSY		1
16009	16009-2114	NEEDLE-JET,#114		1
16021	16021-2008	SCREW-THROTTLE STOP		1
16025	16025-2173	VALVE-THROTTLE		1
16030	16030-2087	VALVE-FLOAT		1
16055	13168-2118	ARM-FLOAT		1
16073	16073-2176	INSULATOR		1
16087	16087-2059	VALVE-CHECK		1
43028	43028-2082	DIAPHRAGM		1
43028A	43028-2093	DIAPHRAGM		1
49043	49043-2071	PUMP-PRIMING		1
49116	49116-2066	VALVE-ASSY		1
92009	92009-2053	SCREW		1
92009A	92009-2061	SCREW		2
92009B	92009-2249	SCREW,5X20		2
92009C	92009-2361	SCREW,3X14		4
92015	92015-2097	NUT,M5		2
92033	92033-2070	RING-SNAP		1
92043	92043-2099	PIN		1
92055	92055-2077	RING-O		1
92055A	92055-2207	RING-O		1
92063	92063-2454	JET-MAIN,#55		1
92081	92081-2245	SPRING		1
92081A	92081-2272	SPRING		1
92081B	92081-2340	SPRING		1
92144	92144-2009	SPRING		1
92172	92172-2086	SCREW		1

This catalog covers:

TH048D- □ S50

GRID NO.

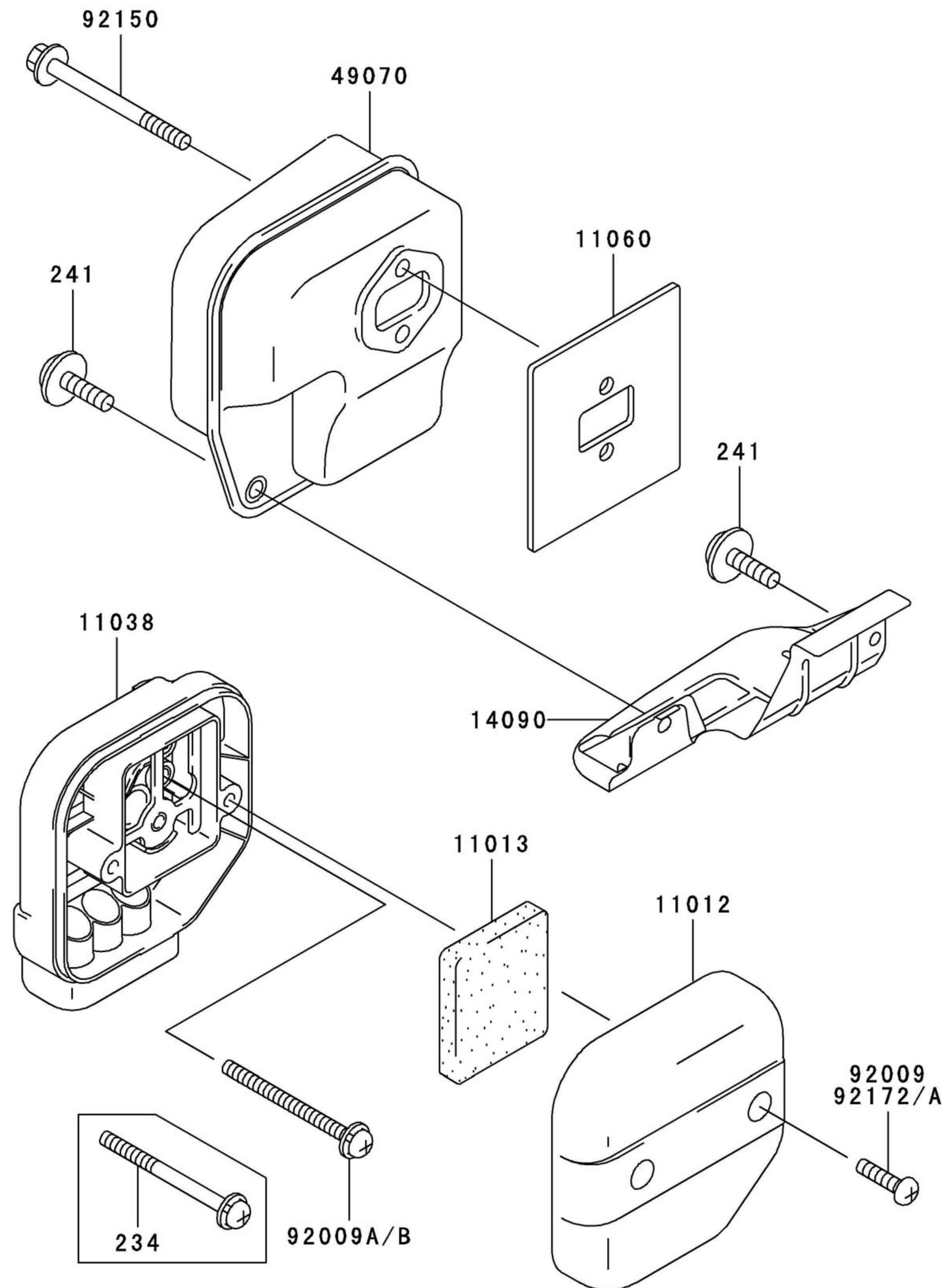
B-10

This grid covers:

AIR-FILTER/MUFFLER



E0190-A783C



Ref. No.	Part No.	Description	Quantity	
			A	B
11012	11012-2349	CAP,AIR FILTER	1	1
11013	11013-2081	ELEMENT-AIR FILTER	1	1
11038	11038-2055	CASE-ASSY-AIR FILTER	1	1
11060	11060-2297	GASKET,MUFFLER	1	1
14090	14090-2059	COVER,MUFFLER	1	1
49070	49070-2630	MUFFLER-COMP	1	1
92009	92009-2324	SCREW	*	
92009A	92009-2449	SCREW,5X55		2
92009B	92009-2449	SCREW,5X55	2	
92150	92150-2180	BOLT,6X65	2	2
92172	92172-2062	SCREW		2
92172A	92172-2062	SCREW	2	
234	234B0555	SCREW-PAN-WSP+-	*	
241	241B0512	SCREW-PAN-WP+-	2	2

This catalog covers:

TH048D- □ S50

GRID NO.

B-11

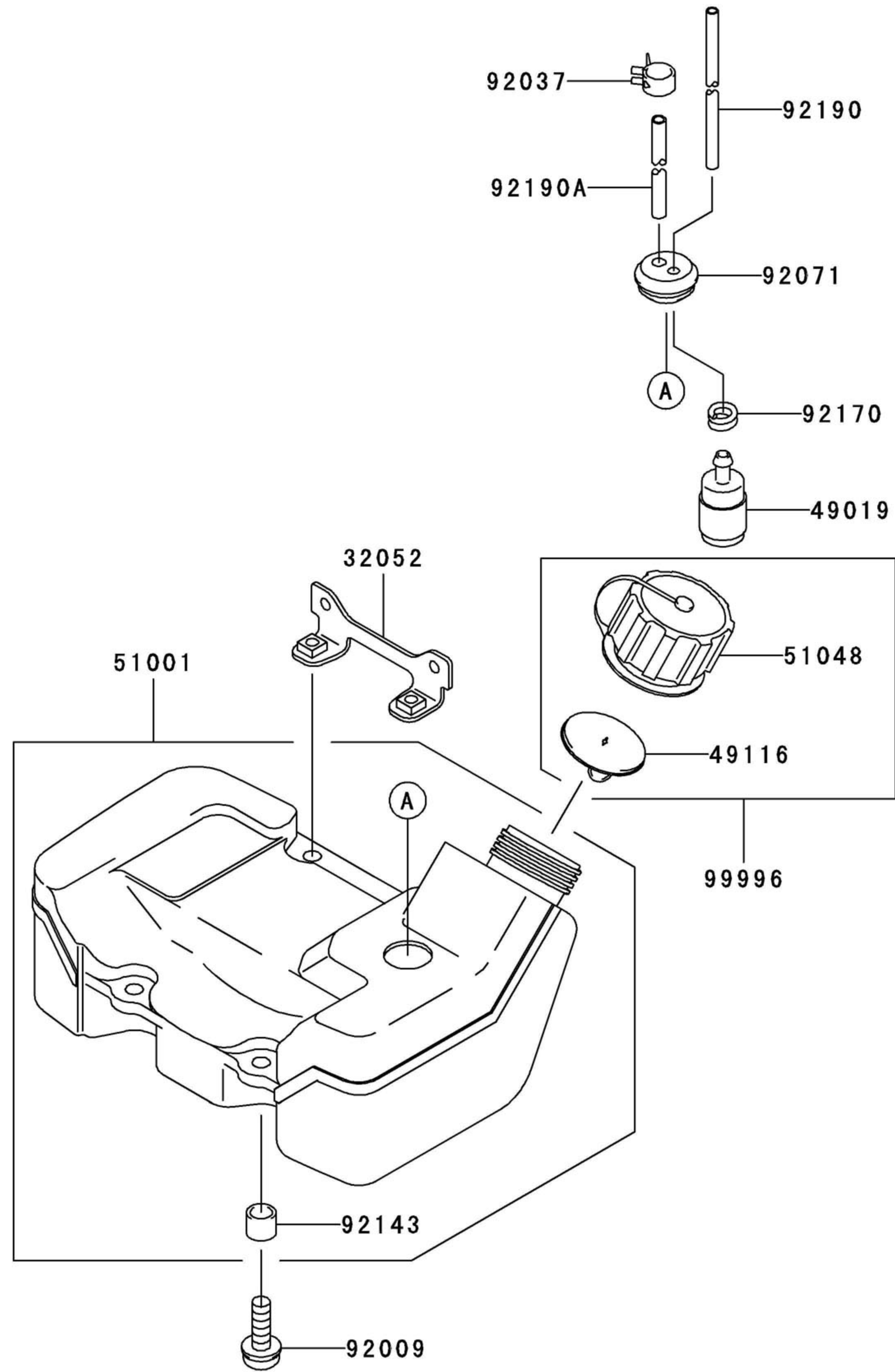
This grid covers:

FUEL-TANK/FUEL-VALVE



E0200-A146F

Ref. No.	Part No.	Description	Quantity	
			A	B
32052	32052-2215	BRACKET-TANK	1	1
49019	49019-2111	FILTER-FUEL	1	1
49116	49116-2064	VALVE-ASSY	1	1
51001	51001-2268	TANK-COMP-FUEL	1	1
51048	51048-2078	CAP-ASSY-TANK	1	1
92009	92009-2383	SCREW,5X20	4	4
92037	92037-2139	CLAMP	1	1
92071	92071-2142	GROMMET,FUEL TANK	1	1
92143	92143-2162	COLLAR	4	4
92170	92170-2080	CLAMP,FUEL FILTER	1	1
92190	92190-2157	TUBE,3X5X200	1	1
92190A	92190-2161	TUBE,3X6X100	1	1
99996	99996-6060	KIT,CAP-ASSY-TANK	1	1



This catalog covers:

TH048D- □ S50

GRID NO.

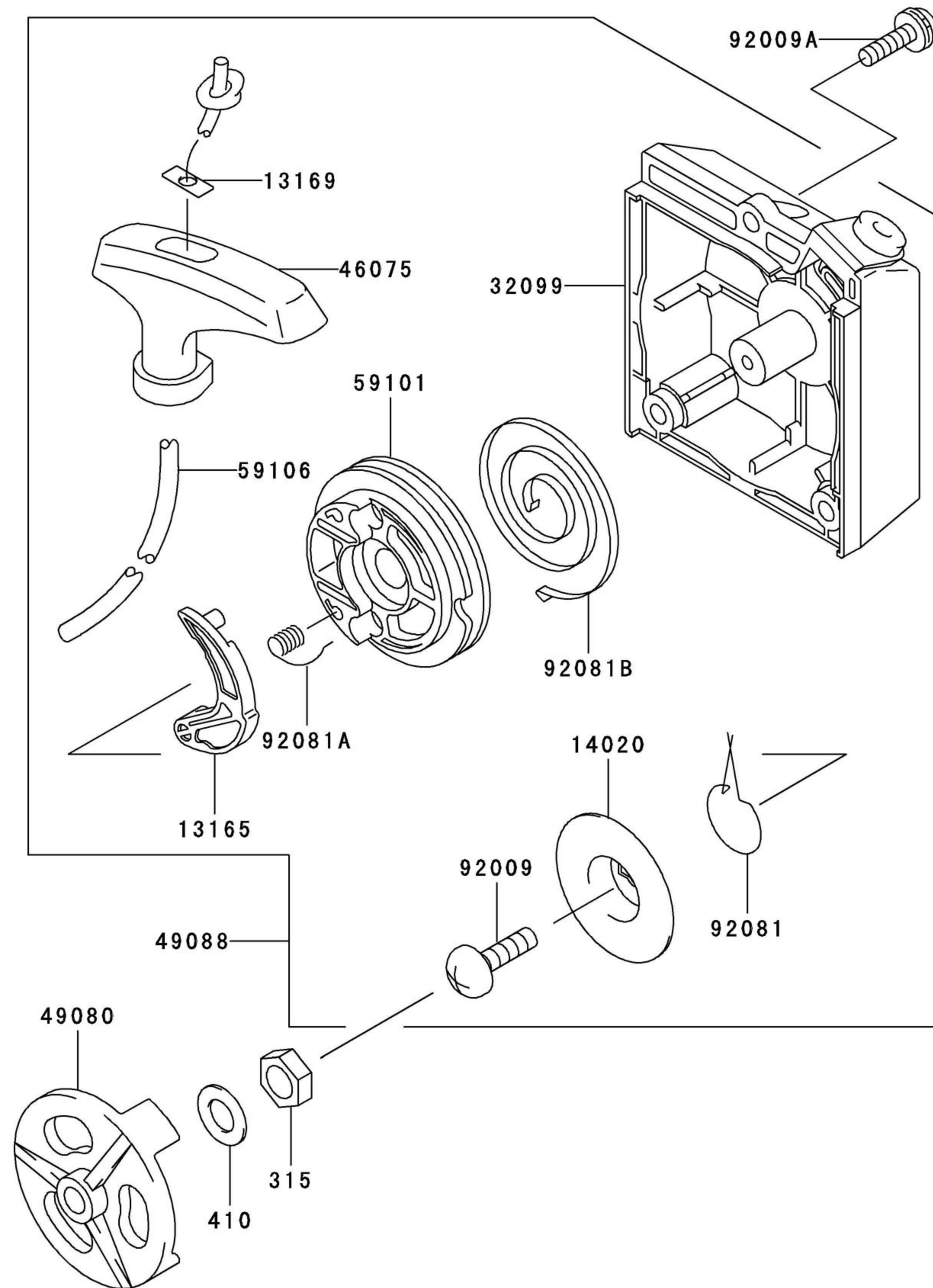
C-03

This grid covers:

STARTER



E0210-A040B



Ref. No.	Part No.	Description	Quantity	
			A	B
13165	13165-2058	PAWL,RECOIL STARTER	1	1
13169	13169-2386	PLATE,RECOIL STARTER	1	1
14020	14020-2057	RETAINER,RECOIL STARTER	1	1
32099	32099-2272	CASE,RECOIL STARTER	1	1
46075	46075-2067	GRIP,RECOIL STARTER	1	1
49080	49080-2173	PULLEY-STARTING	1	1
49088	49088-2442	STARTER-RECOIL	1	1
59101	59101-2067	REEL,RECOIL STARTER	1	1
59106	59106-2077	ROPE,3.8X1200	1	1
92009	92009-2218	SCREW,5X12	1	1
92009A	92009-2249	SCREW,5X20	3	3
92081	92081-2274	SPRING	1	1
92081A	92081-2275	SPRING	1	1
92081B	92081-2318	SPRING	1	1
315	315B0800	NUT-HEX-FINE	1	1
410	410B0800	W-PLAIN-S	1	1

This catalog covers:

TH048D- □ S50

GRID NO.

C-04

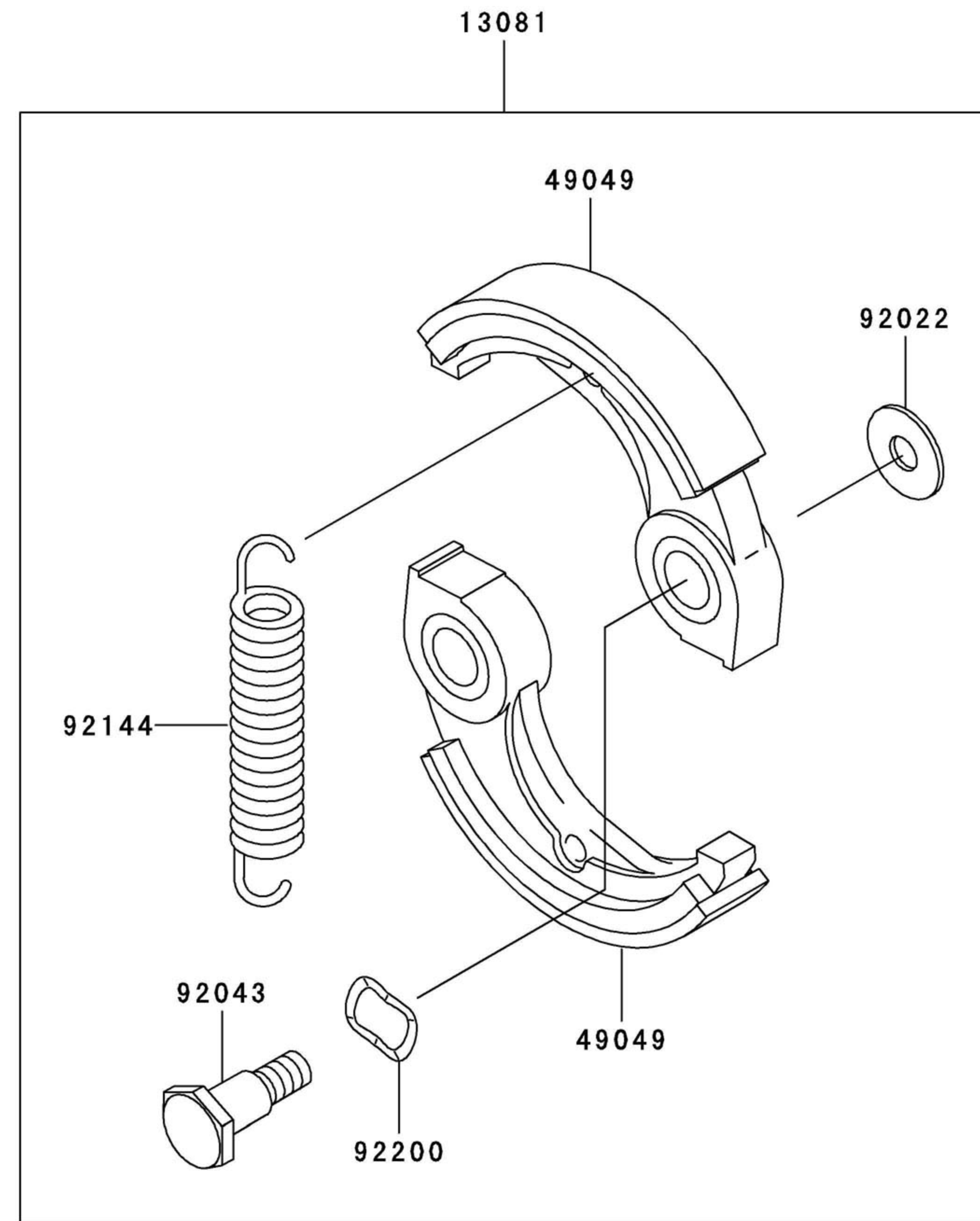
This grid covers:

P.T.O-EQUIPMENT



E0220-A022A

Ref. No.	Part No.	Description	Quantity	
			A	B
13081	13081-2221	CLUTCH-ASSY	1	1
49049	49049-2075	SHOE-CLUTCH	2	2
92022	92026-2125	WASHER	2	2
92043	92043-2210	PIN,CLUTCH	2	2
92144	92144-2390	SPRING	1	1
92200	92200-2064	WASHER,SPRING,10.5X14.5X0.3	2	2



This catalog covers:

TH048D- □ S50

GRID NO.

D-03

This grid covers:

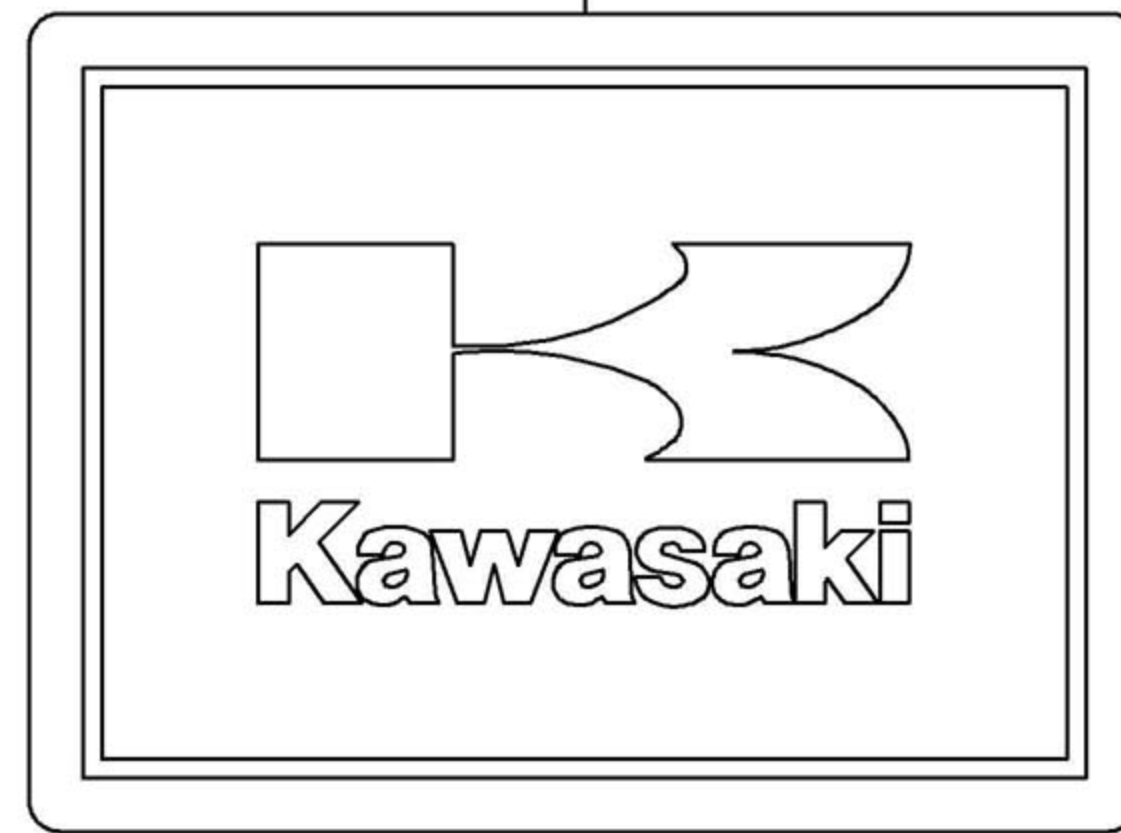
LABEL



F0290-A841A

Ref. No.	Part No.	Description	Quantity	
			A	B
56039	56039-2701	LABEL-PRODUCT	1	1
56070	56070-2020	LABEL-WARNING	1	1
56080	56080-2106	LABEL-BRAND	1	1

56080



56039



56070



This catalog covers:

TH048D- □ S50

GRID NO.

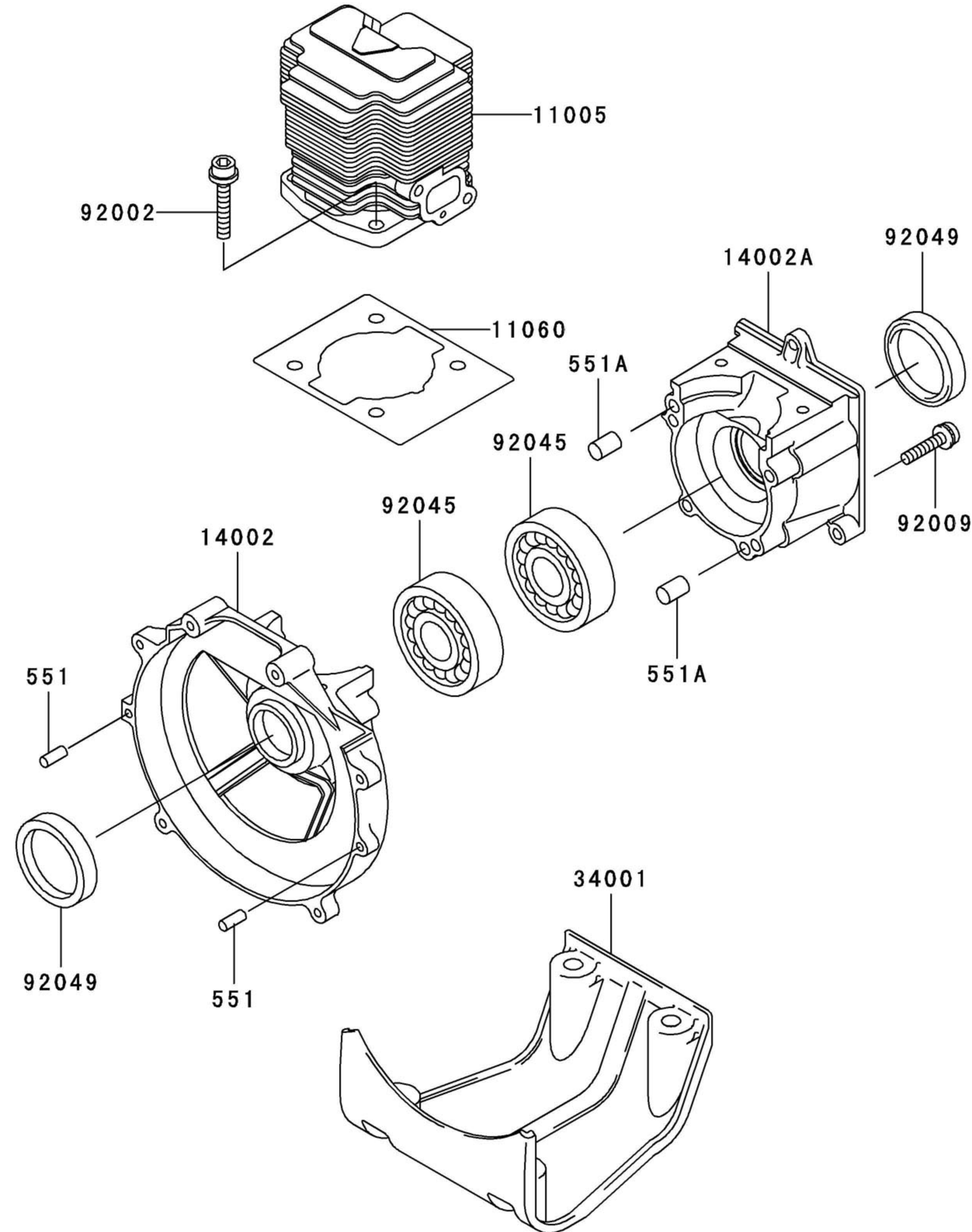
B-03

This grid covers:

CYLINDER/CRANKCASE



E0110-A060A



Ref. No.	Part No.	Description	Quantity	
			A	B
11005	11005-2123	CYLINDER-ENGINE	1	1
11060	11060-2296	GASKET,CYLINDER	1	1
14002	14002-2316	CRANKCASE	1	1
14002A	14002-2317	CRANKCASE	1	1
34001	34001-2082	STAND	1	1
92002	92002-2150	BOLT	4	4
92009	92009-2115	SCREW	4	4
92045	92045-2005	BEARING-BALL,6202C3	2	2
92049	92049-2206	SEAL-OIL	2	2
551	551A0410	PIN-DOWEL	2	2
551A	551A0610	PIN-DOWEL	2	2

This catalog covers:

TH048D- □ S50

GRID NO.

B-04

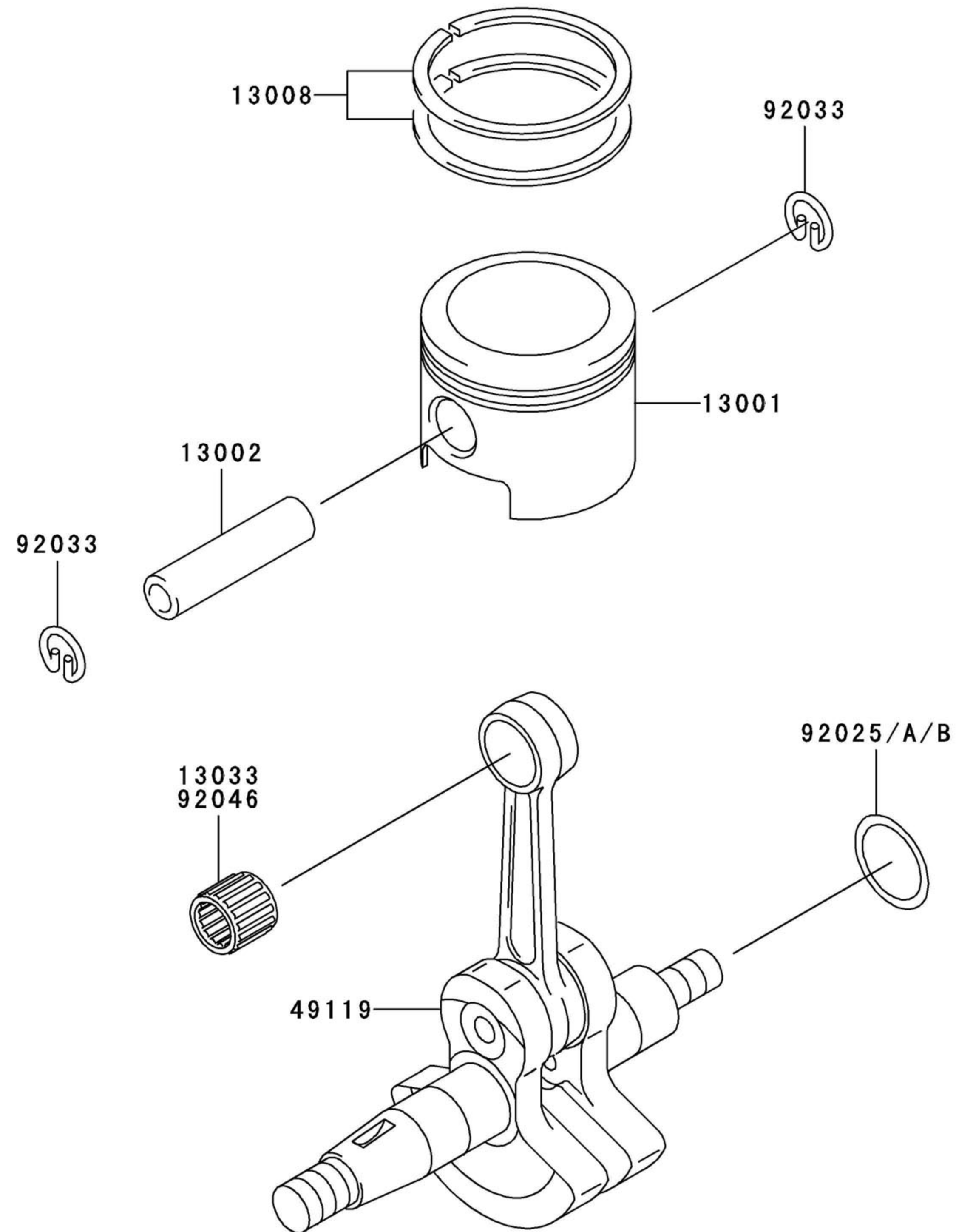
This grid covers:

PISTON/CRANKSHAFT



E0120-A054E

Ref. No.	Part No.	Description	Quantity	
			A	B
13001	13001-2141	PISTON-ENGINE	1	1
13002	13002-2067	PIN-PISTON	1	1
13008	13008-6044	RING-SET-PISTON	1	1
13033	13033-2061	BEARING-SMALL END		1
49119	49119-2173	CRANKSHAFT-ASSY	1	1
92025	92025-2135	SHIM,T=0.20	AR	AR
92025A	92025-2136	SHIM,T=0.40	AR	AR
92025B	92025-2137	SHIM,T=0.60	AR	AR
92033	92033-2058	RING-SNAP	2	2
92046	13033-2005	BEARING-NEEDLE	1	



This catalog covers:

TH048D- □ S50

GRID NO.

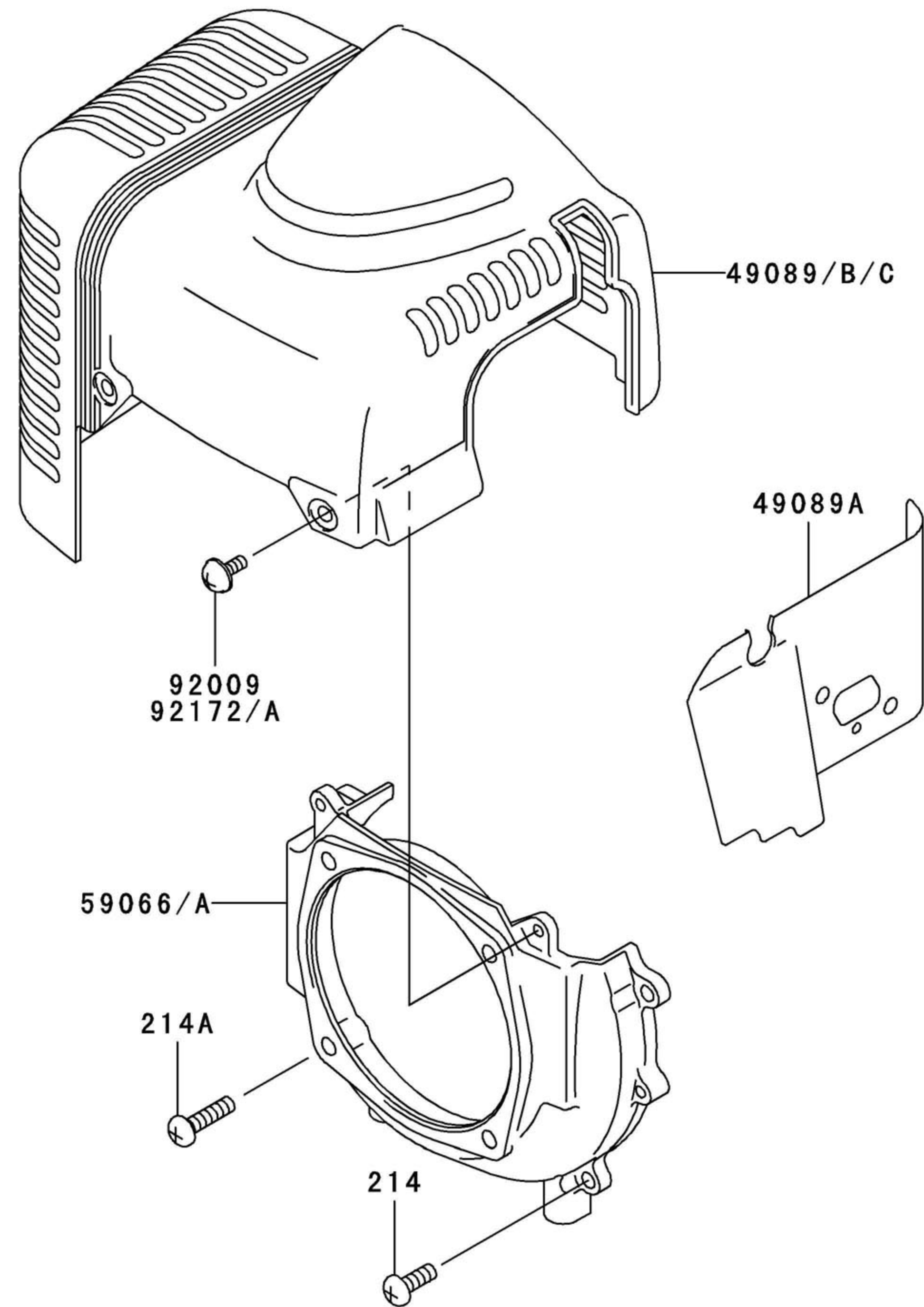
B-05

This grid covers:

COOLING-EQUIPMENT



E0150-A334Q



Ref. No.	Part No.	Description	Quantity	
			A	B
49089	49089-2385	SHROUD-ENGINE (- TH048-123604)	*	
49089A	49089-2386	SHROUD-ENGINE	1	1
49089B	49089-2553	SHROUD-ENGINE		1
49089C	49089-2553	SHROUD-ENGINE (TH048-123605 -)	1	
59066	59066-2747	HOUSING-FAN	1	
59066A	59066-2794	HOUSING-FAN		1
92009	92009-2234	SCREW,4X10	*	
92172	92172-2060	SCREW,4X10		2
92172A	92172-2060	SCREW,4X10	2	
214	214B0514	SCREW-PAN+-	3	3
214A	214B0520	SCREW-PAN+-	1	1

This catalog covers:

TH048D- □ S50

GRID NO.

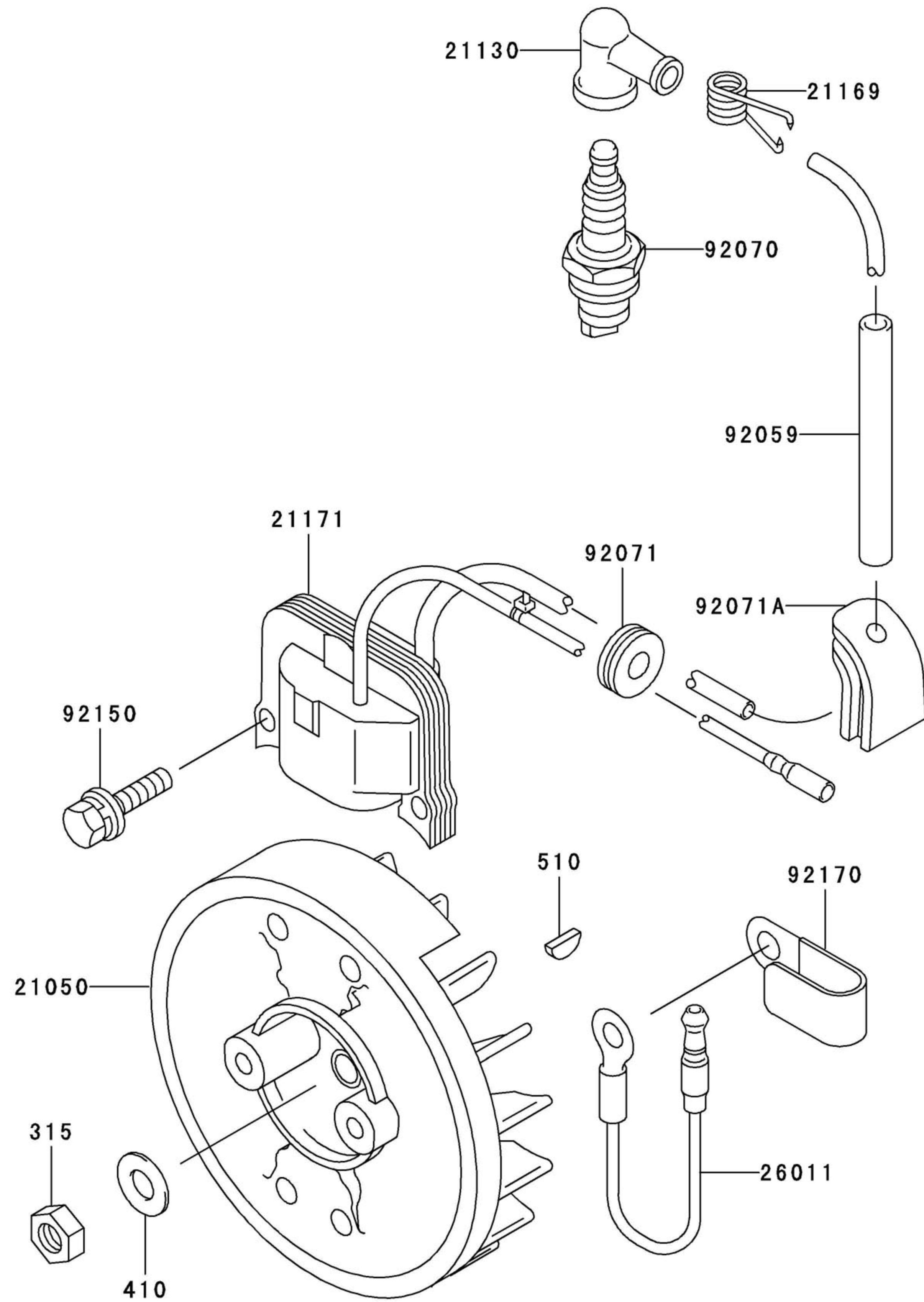
B-06

This grid covers:

ELECTRIC-EQUIPMENT



E0160-A083A



Ref. No.	Part No.	Description	Quantity	
			A	B
21050	21050-2240	FLYWHEEL	1	1
21130	21130-2056	CAP-SPARK PLUG	1	1
21169	21169-2051	TERMINAL	1	1
21171	21171-2195	COIL-ASSY-IGNITION	1	1
26011	26011-2113	WIRE-LEAD	1	1
92059	92059-2103	TUBE,6X7.4X108	1	1
92070	92070-2060	PLUG-SPARK,BMR6A(NGK),SOLID	1	1
92071	92071-2097	GROMMET	1	1
92071A	92071-2143	GROMMET,IGNITION COIL	1	1
92150	92150-2182	BOLT,5X18	2	2
92170	92170-2041	CLAMP	1	1
315	315B1000	NUT-HEX-FINE	1	1
410	410B1000	W-PLAIN-S	1	1
510	510A3100	KEY-WOODRUFF	1	1

This catalog covers:

TH048D- □ S50

GRID NO.

B-07

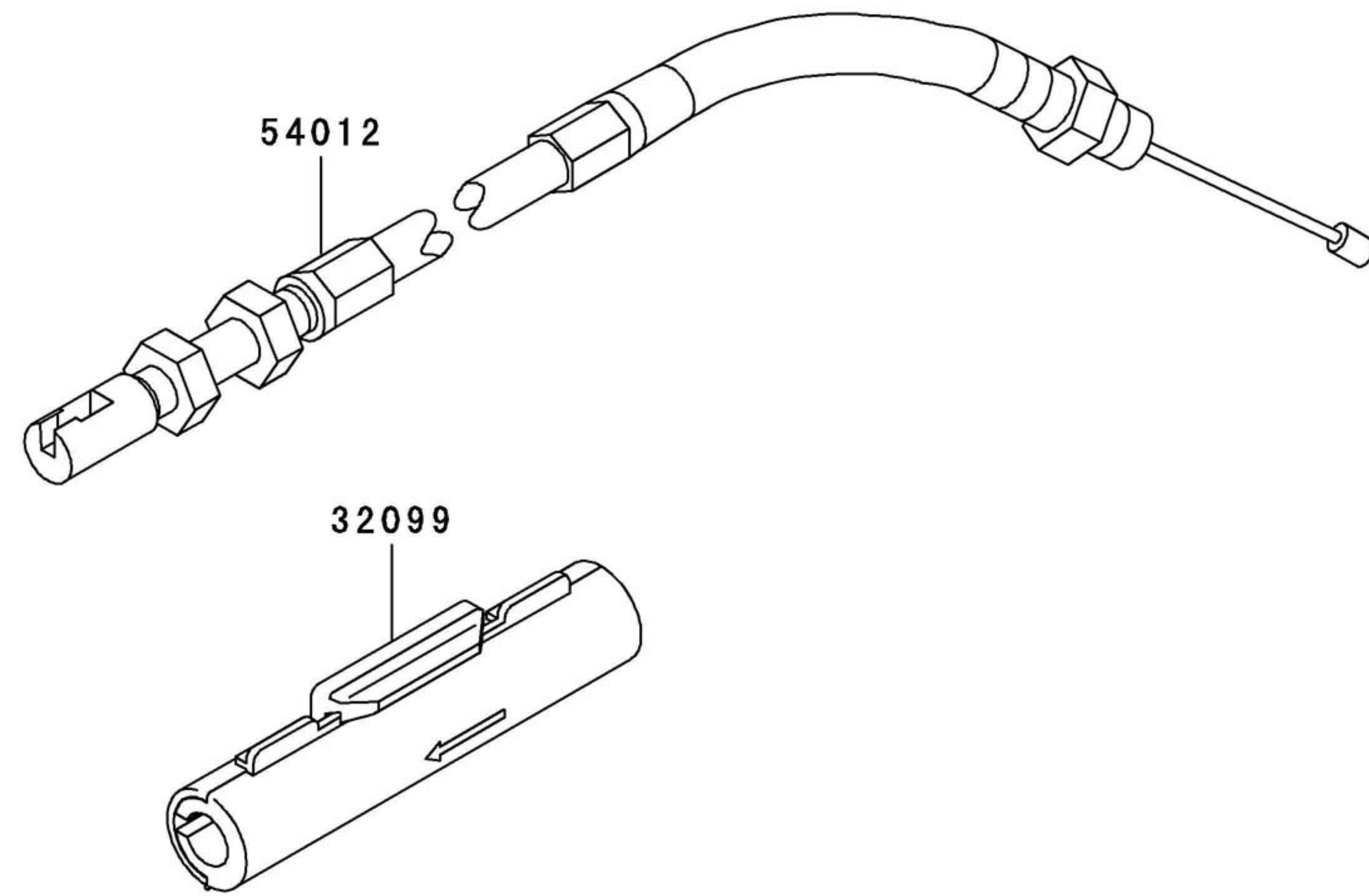
This grid covers:

CONTROL-EQUIPMENT



E0170-A239A

Ref. No.	Part No.	Description	Quantity	
			A	B
32099	32099-2326	CASE	1	1
54012	54012-2362	CABLE-THROTTLE	1	1



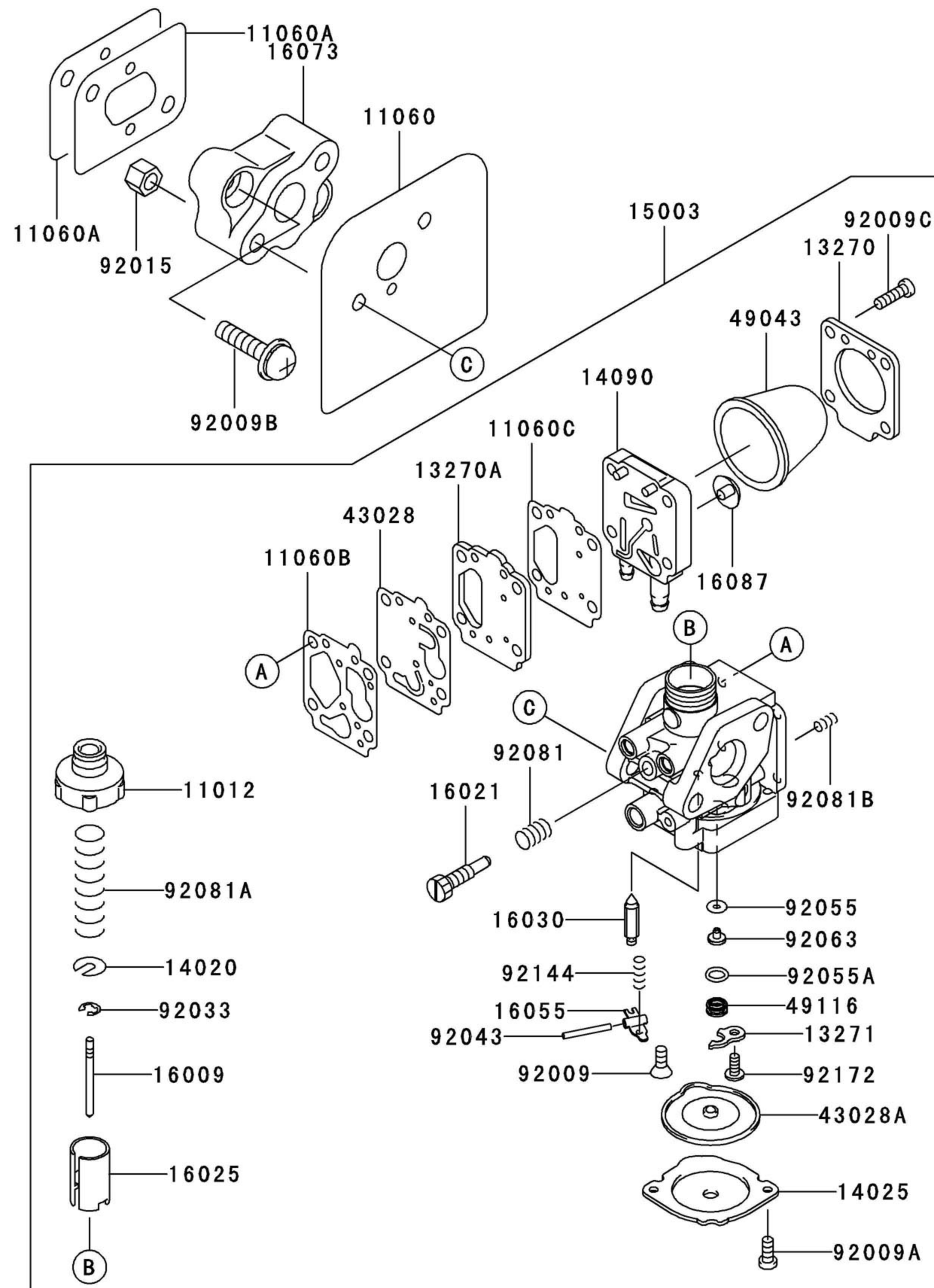
This catalog covers:
TH048D- □ S50

GRID NO.
B-09

This grid covers:
CARBURETOR



E0180-A604B



Ref. No.	Part No.	Description	Quantity	
			A	B
11012	11012-2185	CAP,BODY		1
11060	11060-2298	GASKET,CARBURETOR		1
11060A	11060-2299	GASKET,INSULATOR		2
11060B	11060-2305	GASKET		1
11060C	11060-2306	GASKET		1
13270	13270-2014	PLATE		1
13270A	13270-2015	PLATE		1
13271	13271-2247	PLATE		1
14020	14020-2009	RETAINER,VALVE		1
14025	14025-2027	COVER		1
14090	14090-2060	COVER		1
15003	15003-2938	CARBURETOR-ASSY		1
16009	16009-2114	NEEDLE-JET,#114		1
16021	16021-2008	SCREW-THROTTLE STOP		1
16025	16025-2173	VALVE-THROTTLE		1
16030	16030-2087	VALVE-FLOAT		1
16055	13168-2118	ARM-FLOAT		1
16073	16073-2176	INSULATOR		1
16087	16087-2059	VALVE-CHECK		1
43028	43028-2082	DIAPHRAGM		1
43028A	43028-2093	DIAPHRAGM		1
49043	49043-2071	PUMP-PRIMING		1
49116	49116-2066	VALVE-ASSY		1
92009	92009-2053	SCREW		1
92009A	92009-2061	SCREW		2
92009B	92009-2249	SCREW,5X20		2
92009C	92009-2361	SCREW,3X14		4
92015	92015-2097	NUT,M5		2
92033	92033-2070	RING-SNAP		1
92043	92043-2099	PIN		1
92055	92055-2077	RING-O		1
92055A	92055-2207	RING-O		1
92063	92063-2454	JET-MAIN,#55		1
92081	92081-2245	SPRING		1
92081A	92081-2272	SPRING		1
92081B	92081-2340	SPRING		1
92144	92144-2009	SPRING		1
92172	92172-2086	SCREW		1

This catalog covers:

TH048D- □ S50

GRID NO.

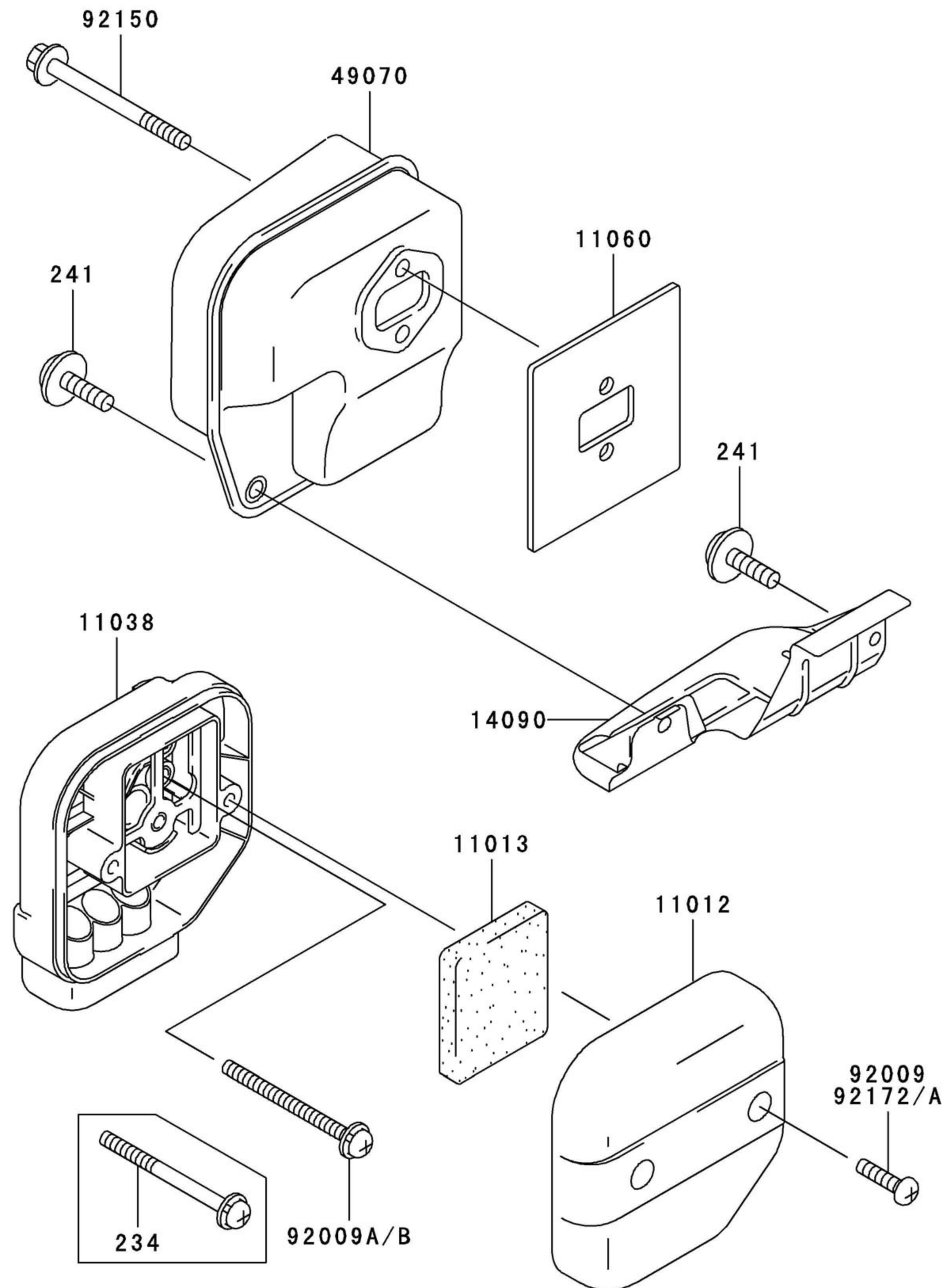
B-10

This grid covers:

AIR-FILTER/MUFFLER



E0190-A783C



Ref. No.	Part No.	Description	Quantity	
			A	B
11012	11012-2349	CAP,AIR FILTER	1	1
11013	11013-2081	ELEMENT-AIR FILTER	1	1
11038	11038-2055	CASE-ASSY-AIR FILTER	1	1
11060	11060-2297	GASKET,MUFFLER	1	1
14090	14090-2059	COVER,MUFFLER	1	1
49070	49070-2630	MUFFLER-COMP	1	1
92009	92009-2324	SCREW	*	
92009A	92009-2449	SCREW,5X55		2
92009B	92009-2449	SCREW,5X55	2	
92150	92150-2180	BOLT,6X65	2	2
92172	92172-2062	SCREW		2
92172A	92172-2062	SCREW	2	
234	234B0555	SCREW-PAN-WSP+-	*	
241	241B0512	SCREW-PAN-WP+-	2	2

This catalog covers:

TH048D- □ S50

GRID NO.

B-11

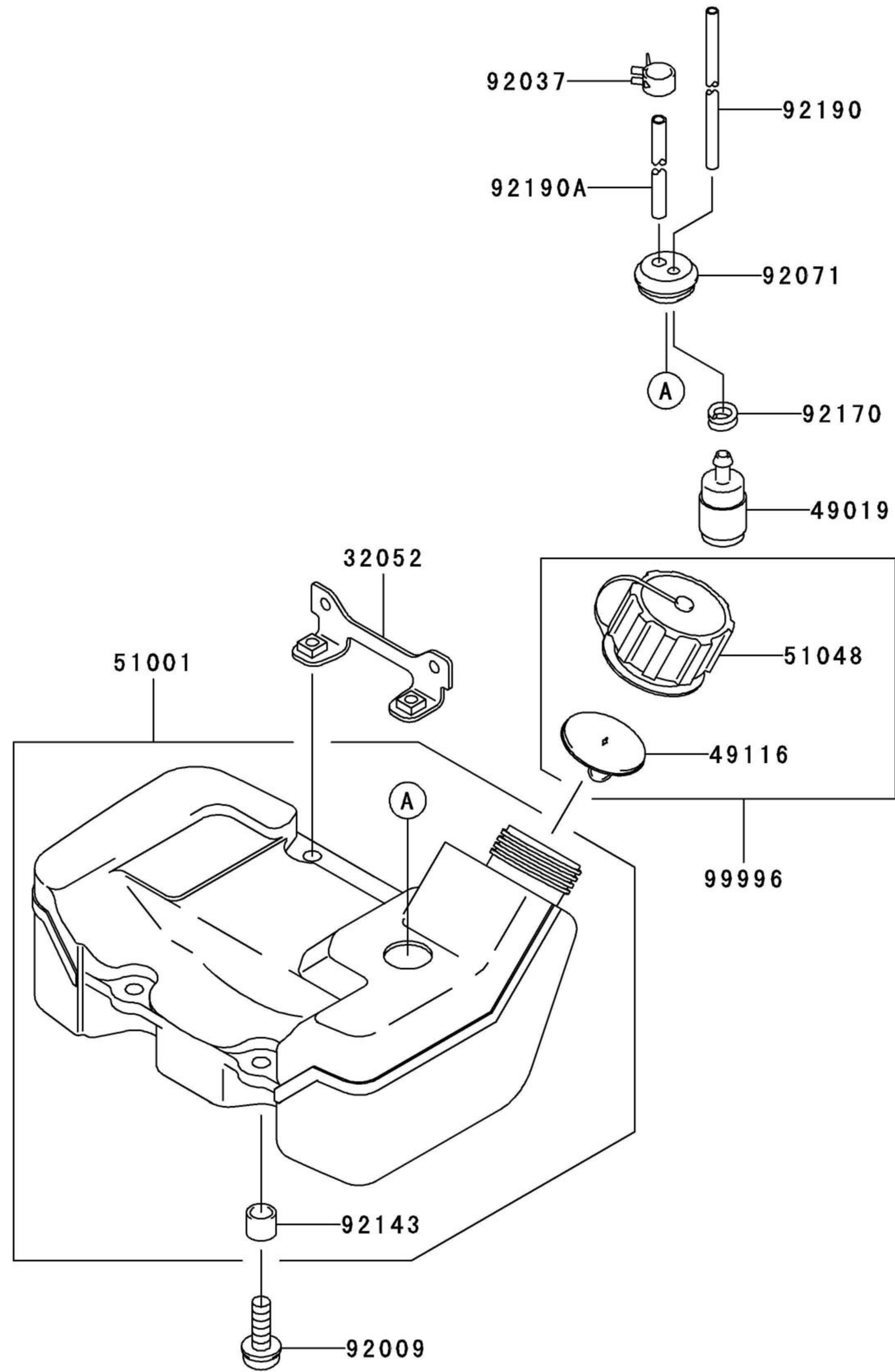
This grid covers:

FUEL-TANK/FUEL-VALVE



E0200-A146F

Ref. No.	Part No.	Description	Quantity	
			A	B
32052	32052-2215	BRACKET-TANK	1	1
49019	49019-2111	FILTER-FUEL	1	1
49116	49116-2064	VALVE-ASSY	1	1
51001	51001-2268	TANK-COMP-FUEL	1	1
51048	51048-2078	CAP-ASSY-TANK	1	1
92009	92009-2383	SCREW,5X20	4	4
92037	92037-2139	CLAMP	1	1
92071	92071-2142	GROMMET,FUEL TANK	1	1
92143	92143-2162	COLLAR	4	4
92170	92170-2080	CLAMP,FUEL FILTER	1	1
92190	92190-2157	TUBE,3X5X200	1	1
92190A	92190-2161	TUBE,3X6X100	1	1
99996	99996-6060	KIT,CAP-ASSY-TANK	1	1



This catalog covers:

TH048D- □ S50

GRID NO.

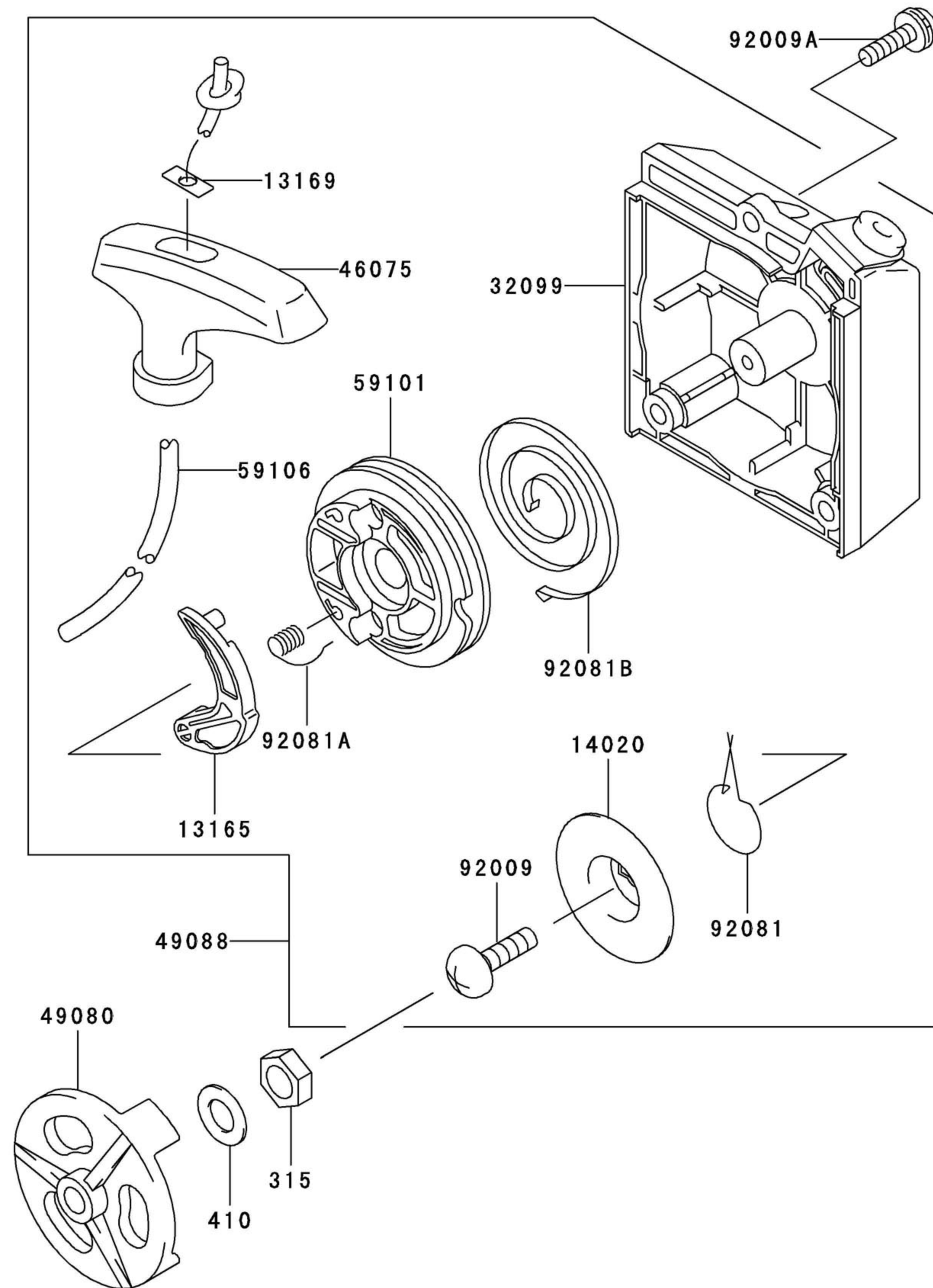
C-03

This grid covers:

STARTER



E0210-A040B



Ref. No.	Part No.	Description	Quantity	
			A	B
13165	13165-2058	PAWL,RECOIL STARTER	1	1
13169	13169-2386	PLATE,RECOIL STARTER	1	1
14020	14020-2057	RETAINER,RECOIL STARTER	1	1
32099	32099-2272	CASE,RECOIL STARTER	1	1
46075	46075-2067	GRIP,RECOIL STARTER	1	1
49080	49080-2173	PULLEY-STARTING	1	1
49088	49088-2442	STARTER-RECOIL	1	1
59101	59101-2067	REEL,RECOIL STARTER	1	1
59106	59106-2077	ROPE,3.8X1200	1	1
92009	92009-2218	SCREW,5X12	1	1
92009A	92009-2249	SCREW,5X20	3	3
92081	92081-2274	SPRING	1	1
92081A	92081-2275	SPRING	1	1
92081B	92081-2318	SPRING	1	1
315	315B0800	NUT-HEX-FINE	1	1
410	410B0800	W-PLAIN-S	1	1

This catalog covers:

TH048D- □ S50

GRID NO.

C-04

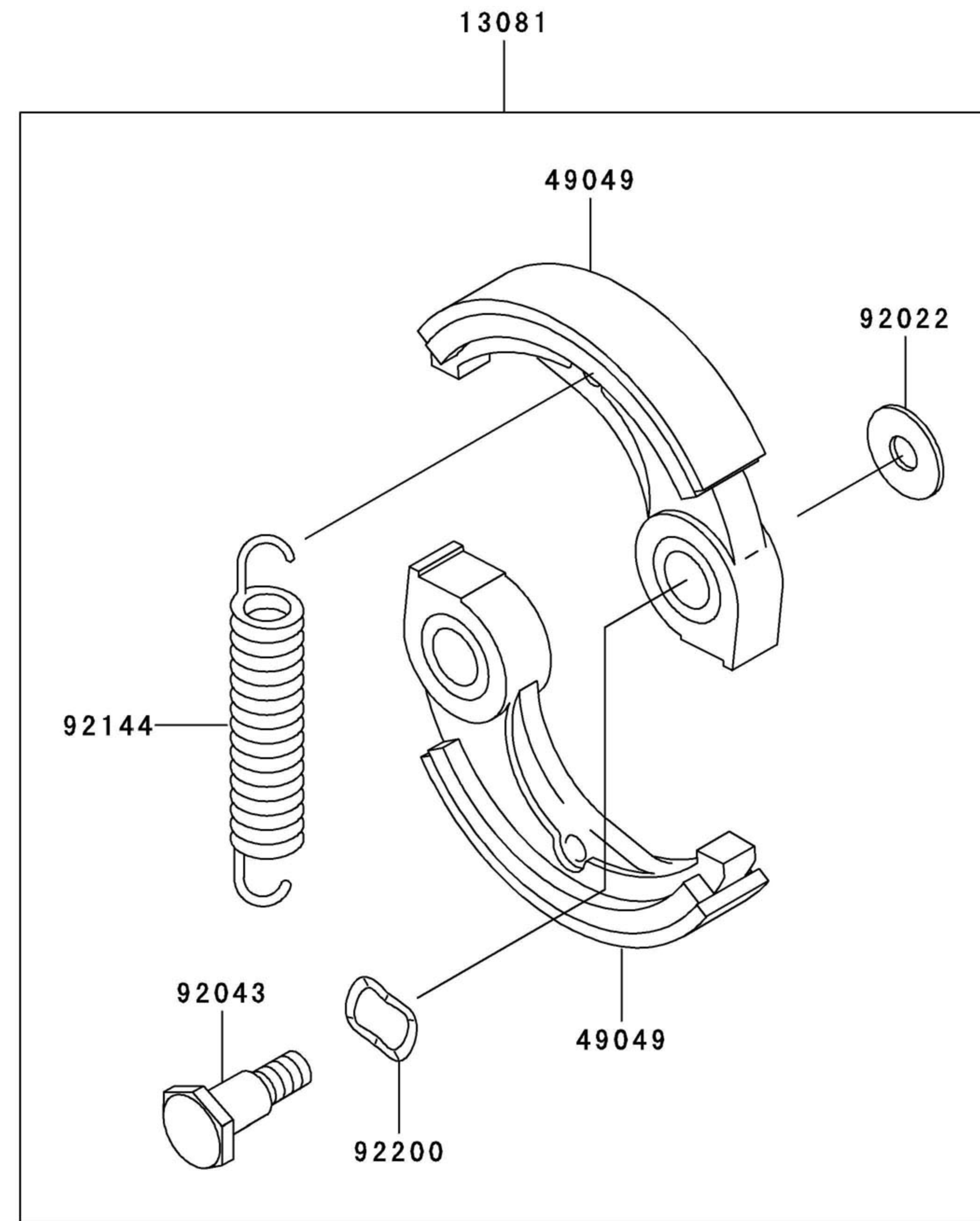
This grid covers:

P.T.O-EQUIPMENT



E0220-A022A

Ref. No.	Part No.	Description	Quantity	
			A	B
13081	13081-2221	CLUTCH-ASSY	1	1
49049	49049-2075	SHOE-CLUTCH	2	2
92022	92026-2125	WASHER	2	2
92043	92043-2210	PIN,CLUTCH	2	2
92144	92144-2390	SPRING	1	1
92200	92200-2064	WASHER,SPRING,10.5X14.5X0.3	2	2



This catalog covers:

TH048D- □ S50

GRID NO.

D-03

This grid covers:

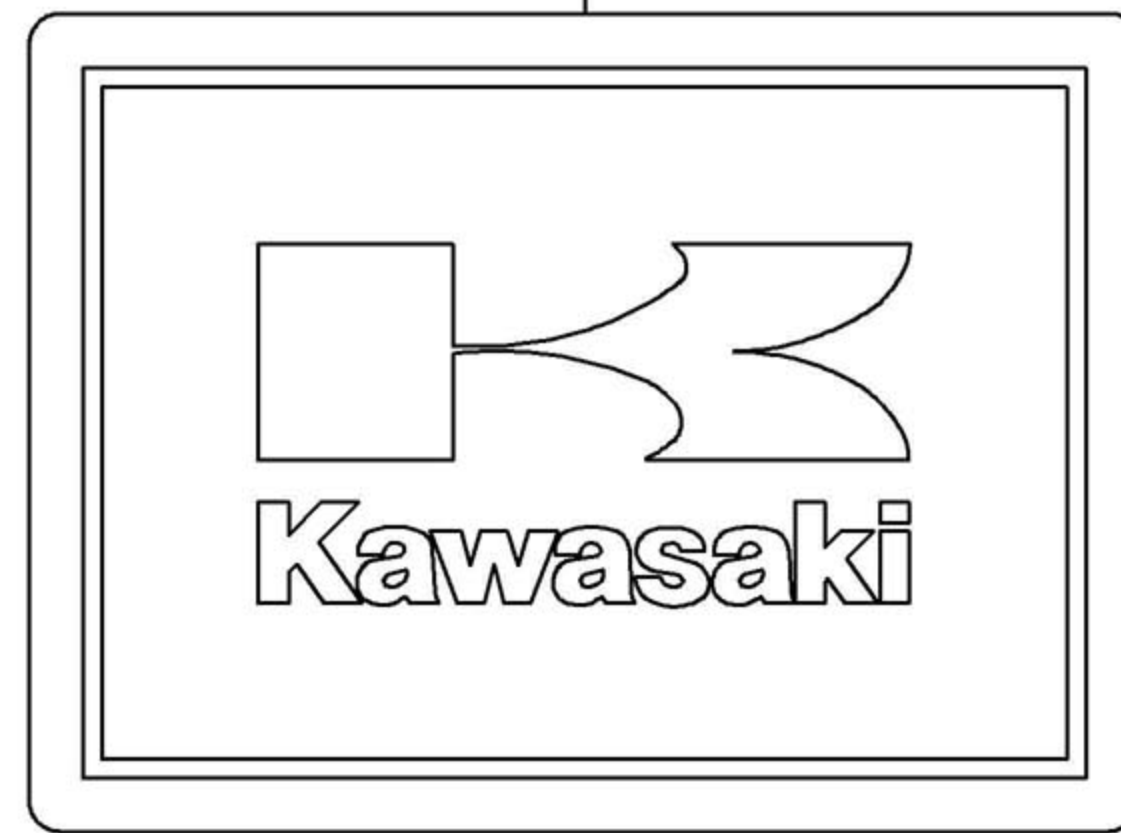
LABEL



F0290-A841A

Ref. No.	Part No.	Description	Quantity	
			A	B
56039	56039-2701	LABEL-PRODUCT	1	1
56070	56070-2020	LABEL-WARNING	1	1
56080	56080-2106	LABEL-BRAND	1	1

56080



56039



56070

