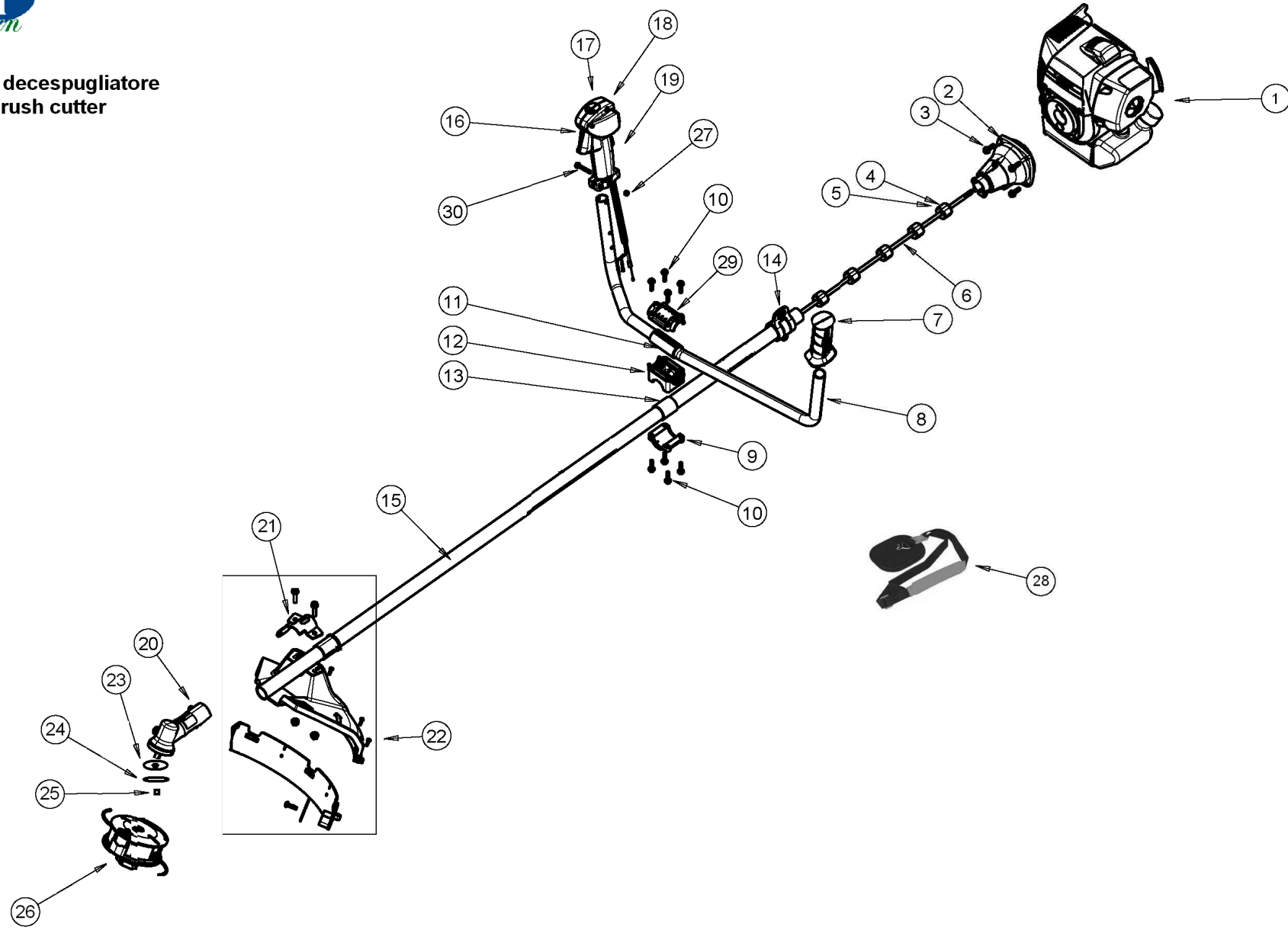




Esploso ricambi decespugliatore
Exploded view Brush cutter
TOP 45U



Disegno eseguito con C.A.D. Non sono ammesse variazioni o modifiche manuali (Drawing made with C.A.D. Any manual change or modification are forbidden).

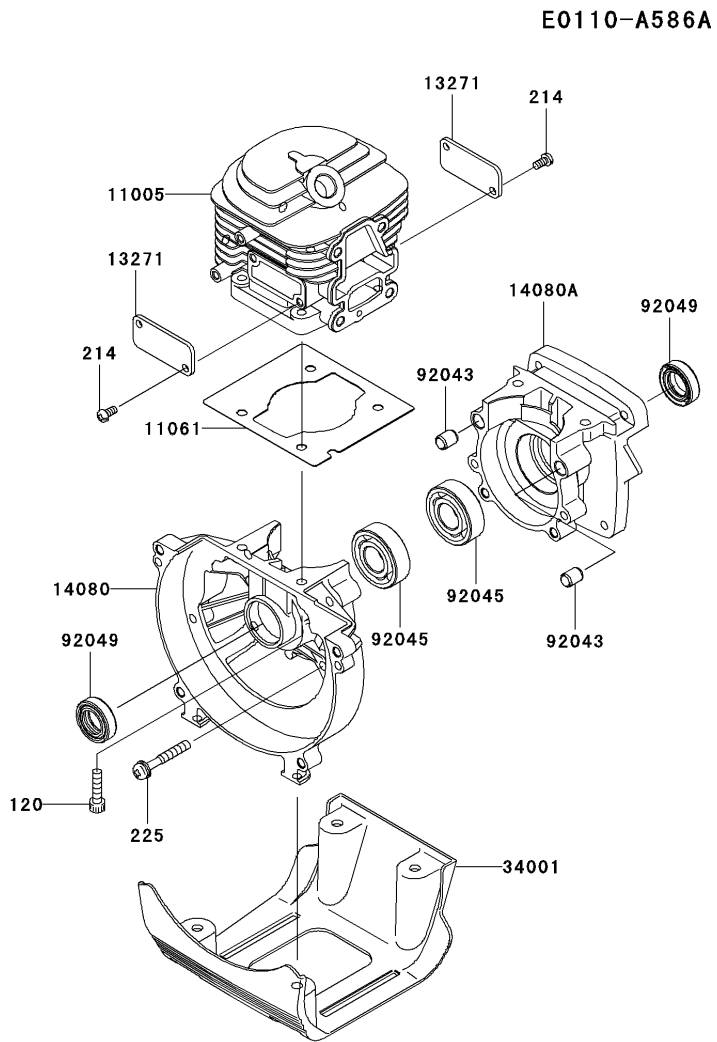
Questo disegno e' proprietà di AMA S.p.a. Vietati uso, copia e diffusione senza autorizzazione scritta della stessa (This drawing is property of AMA S.p.a. Any use, distribution or copy is forbidden without its authorization).

Rif.	Codice	Descrizione	Q.ty
1	63730	MOTORE 45cc	1
2	55620	CAMPANA FRIZIONE CPL.	1
3	13586	VITE	4
4	55440	ANTIVIBRANTE ASTA	5
5	55441	BRONZINA ASTA	5
6	13580	ALBERO TRASMISSIONE	1
7	55160	MANOPOLA SX	1
8	13639	TUBO IMPUGNATURA	1
9	13635	ATTACCO INF. IMPUGNATURA	1
10	13588	VITE	8
11	13638	ANTIVIBRANTE TUBO	1
12	13636	ATTACCO CENTRALE IMPUGN.	1
13	55617	ANTIVIBRANTE CENTRALE	1
14	62031	GANCIO BRETILLA	1
15	73826	TUBO D.28 COMPLETO	1
16	13923-06	LEVA ACCELERATORE	1
17	69501	GRUPPO ACCELERATORE	1
18	13936	INTERRUTTORE ON/OFF	1
19	13924-06	LEVA DISINNESTO	1
20	13610	COPPIA CONICA CPL	1
21	13571	LAMIERINO	1
22	37944	PARASASSI COMPLETO	1
23	13532	FLANGIA SUPERIORE	1
24	13533	FLANGIA INFERIORE	1
25	10125	DADO	1

Ref.	Code	Description	Q.ty
1	63730	ENGINE 45cc	1
2	55620	CLUTHC DRUM ASS.BLY	1
3	13586	SCREW	4
4	55440	ANTI-VIBRATION BEARING	5
5	55441	BEARING	5
6	13580	DRIVE SHAFT	1
7	55160	HANDLE	1
8	13639	HANDLE PIPE	1
9	13635	LOWER HANDLE BRACKET	1
10	13588	SCREW	8
11	13638	PIPE ANTI-VIBRATION	1
12	13636	CENTRAL HANDLE BRACKET	1
13	55617	BAR ANTI-VIBRATION	1
14	62031	HOOK	1
15	73826	COMPLETE PIPE D.28	1
16	13923-06	THROTTLE LEVER	1
17	69501	THROTTLE HANDLE COMPLETE	1
18	13936	SWITCH ON/OFF	1
19	13924-06	SAFETY LEVER	1
20	13610	GEAR BOX	1
21	13571	GUARD BRACKET	1
22	37944	COMPLETE GUARD	1
23	13532	UPPER FLANGE	1
24	13533	LOWER FLANGE	1
25	10125	NUT	1

Rif.	Codice	Descrizione	Q.ty
26	55608	TESTINA CARICAMENTO FAC.	1
27	13933	DADO	1
28	P07086	BRETELLA	1
29	13637	ATTACCO SUP. IMPUGNATURA	1
30	13931	VITE	1

Ref.	Code	Description	Q.ty
26	55608	EASY CHARGE NYLON HEAD	1
27	13933	NUT	1
28	P07086	HARNESS	1
29	13637	UPPER HANDLE BRACKET	1
30	13931	SCREW	1

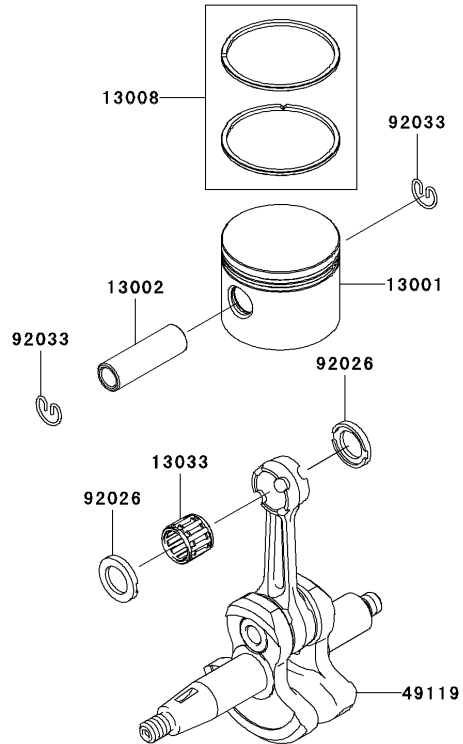


Ref No.	Part No.	Part Name	Qty	A
120	120CB0520	BOLT-SOCKET,5X20	4	
214	214AA0408	SCREW-PAN+-,4X8	4	
225	225AA0535	SCREW-PAN-WSP-CROS,5X35	4	
11005	11005-2159	CYLINDER-ENGINE	1	
11061	11061-2173	GASKET,CYLINDER	1	
13271	13271-2262	PLATE	2	
14080	14080-2062	CRANKCASE	1	
14080A	14080-2063	CRANKCASE	1	
34001	34001-2089	STAND	1	
92043	92043-1302	PIN	2	
92045	92045-2279	BEARING-BALL,6202C3	2	
92049	92049-2259	SEAL-OIL,ISCD-15-25-7-F	2	



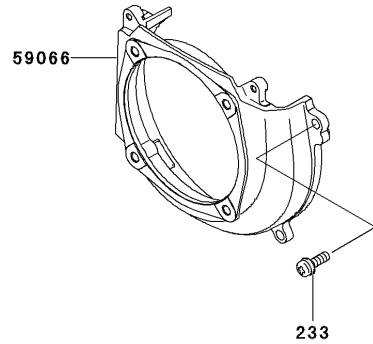
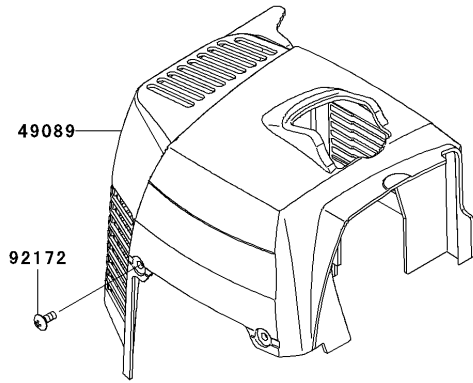
E0120-A373A

Ref No.	Part No.	Part Name	Qty	A
13001	13001-2166	PISTON-ENGINE	1	
13002	13002-2067	PIN-PISTON	1	
13008	13008-6067	RING-SET-PISTON	1	
13033	13033-2063	BEARING-SMALL END	1	
49119	49119-2231	CRANKSHAFT-ASSY	1	
92026	92026-2353	SPACER	2	
92033	92033-2058	RING-SNAP	2	

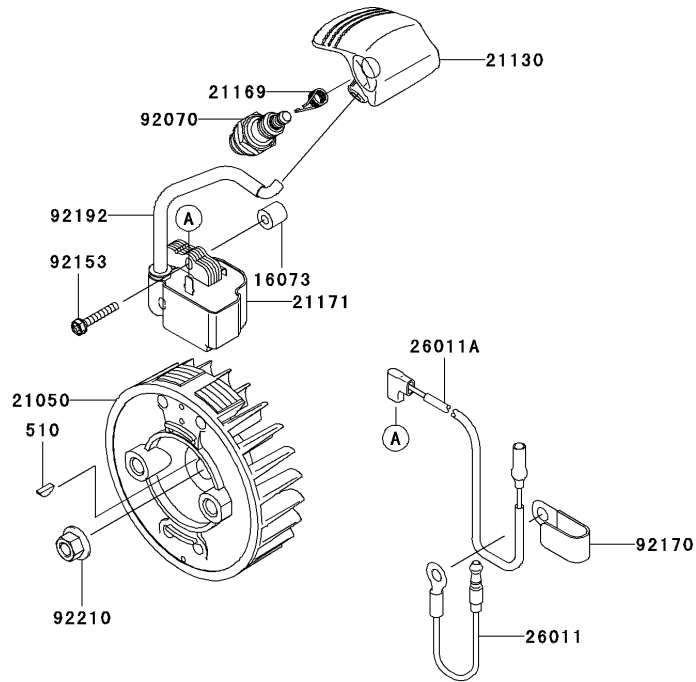


E0150-A827A

Ref No.	Part No.	Part Name	Qty	A
233	233AA0516	SCREW-PAN-WP+-.5X16	4	
49089	49089-2631	SHROUD-ENGINE	1	
59066	59066-2797	HOUSING-FAN	1	
92172	92172-2060	SCREW,4X10	2	



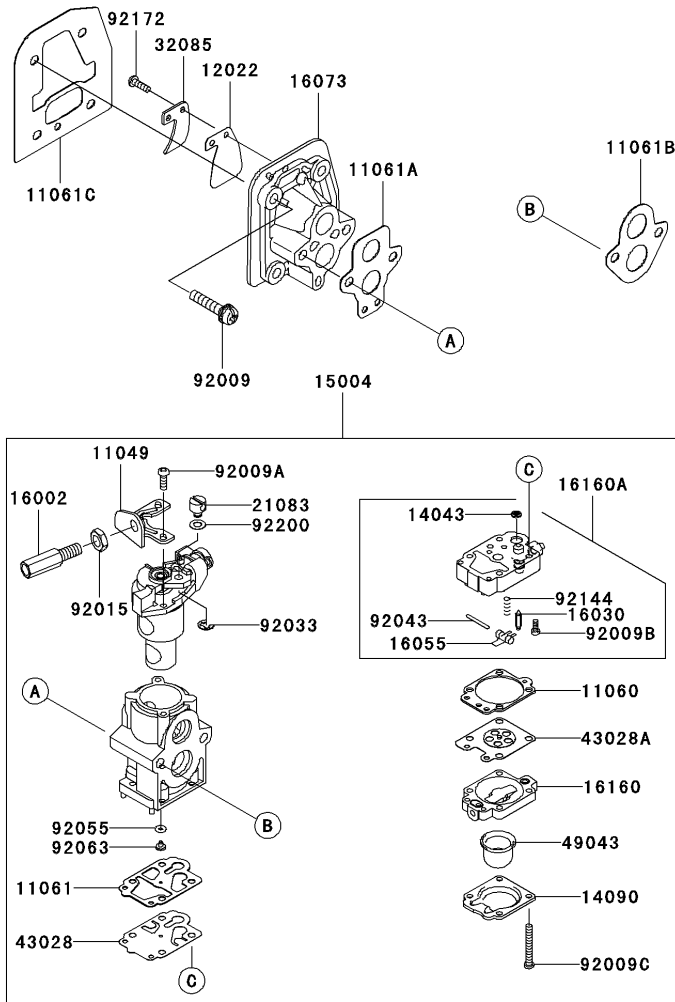
E0160-B201A



Ref No.	Part No.	Part Name	Qty	A
510	510A3100	KEY-WOODRUFF	1	
16073	16073-2220	INSULATOR	2	
21050	21050-2313	FLYWHEEL	1	
21130	21130-2072	CAP-SPARK PLUG	1	
21169	21169-2051	TERMINAL	1	
21171	21171-2250	COIL-ASSY-IGNITION	1	
26011	26011-2113	WIRE-LEAD	1	
26011A	26011-2361	WIRE-LEAD,L=230	1	
92070	92070-2107	PLUG-SPARK,BPMR7A(NGK),SOLID	1	
92153	92153-2135	BOLT,4X25	2	
92170	92170-2041	CLAMP	1	
92192	92192-2165	TUBE,6X6.6X80	1	
92210	92210-2101	NUT,M8	1	



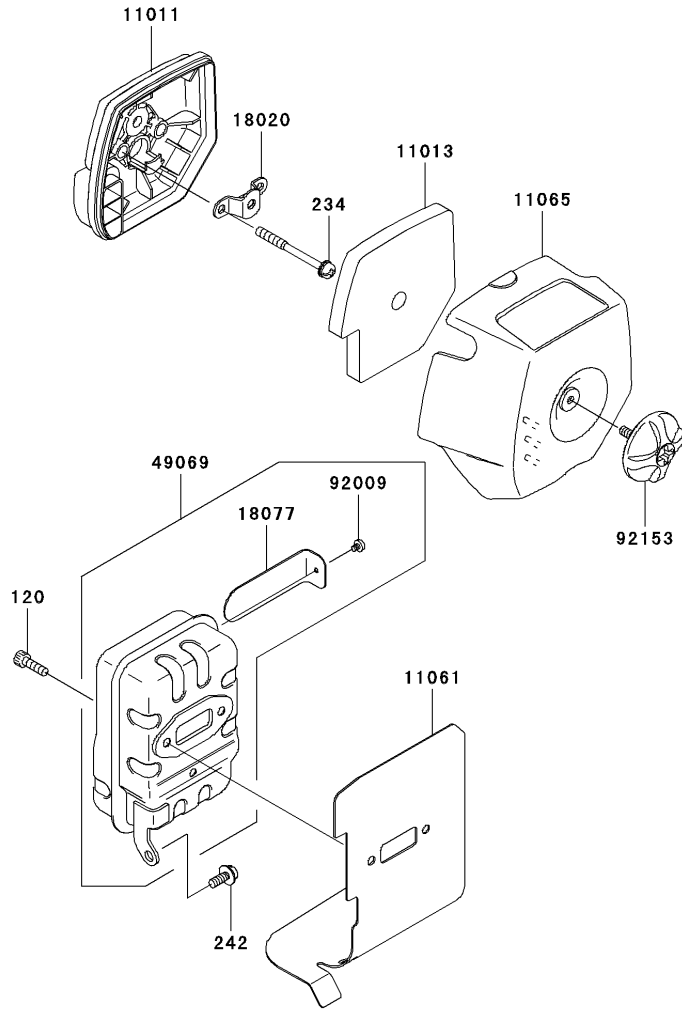
E0180-A735A



Ref No.	Part No.	Part Name	Qty	A
11049	11049-2006	BRACKET	1	
11060	11060-2111	GASKET	1	
11061	11061-2054	GASKET	1	
11061A	11061-2175	GASKET,CARBURETOR-INSULATOR	1	
11061B	11061-2176	GASKET	1	
11061C	11061-2178	GASKET,CYLINDER-INSULATOR	1	
12022	12022-2059	VALVE-REED	1	
14043	14043-2051	FILTER	1	
14090	14090-2017	COVER,PRIMER PUMP	1	
15004	15004-2050	CARBURETOR-ASSY	1	
16002	16002-2056	ADJUSTER-CABLE	1	
16030	16030-2078	VALVE-FLOAT	1	
16055	16055-2051	LEVER	1	
16073	16073-2236	INSULATOR	1	
16160	16160-2089	BODY	1	
16160A	16160-2103	BODY	1	
21083	21083-2073	ARM	1	
32085	32085-2105	STOPPER	1	
43028	43028-2067	DIAPHRAGM	1	
43028A	43028-2096	DIAPHRAGM	1	
49043	49043-2067	PUMP-PRIMING	1	
92009	92009-2235	SCREW,5X25	4	
92009A	92009-2277	SCREW	2	
92009B	92009-2336	SCREW	1	
92009C	92009-2337	SCREW	4	
92015	92015-2145	NUT	1	
92033	92033-2078	RING-SNAP	1	
92043	92043-2094	PIN	1	
92055	92055-2147	RING-O	1	
92063	92063-2483	JET-MAIN,#40	1	
92144	92144-2308	SPRING	1	
92172	92172-2091	SCREW,3X12	1	
92200	92200-2074	WASHER	1	



E0190-B015A

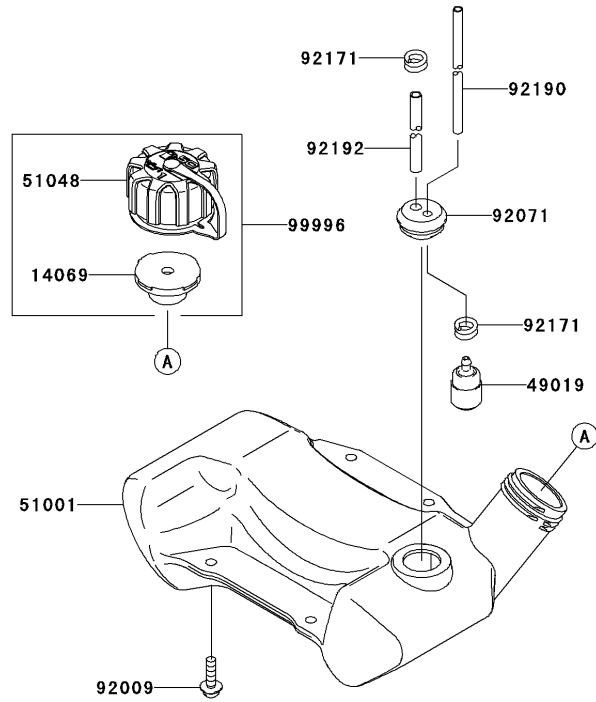


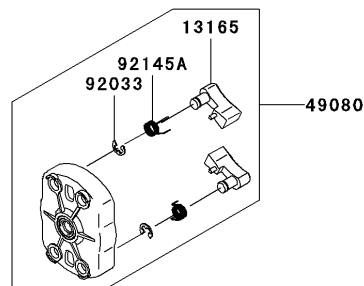
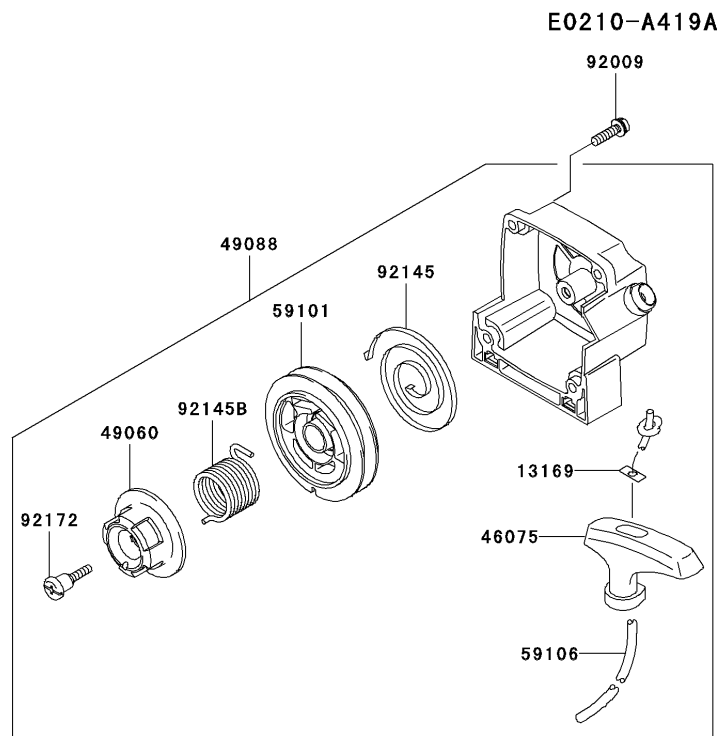
Ref No.	Part No.	Part Name	Qty	A
120	120CB0516	BOLT-SOCKET,5X16	2	
234	234AA0555	SCREW-PAN-WSP+,-,5X55	2	
242	242AA0514	SCREW-PAN-WSP+,-,5X14	1	
11011	11011-2362	CASE-AIR FILTER	1	
11013	11013-2226	ELEMENT-AIR FILTER	1	
11061	11061-2174	GASKET,MUFFLER	1	
11065	11065-2123	CAP	1	
18020	18020-2091	BAFFLE	1	
18077	18077-2137	ARRESTER-SPARK	1	
49069	49069-2430	MUFFLER-ASSY	1	
92009	92009-2411	SCREW	1	
92153	92153-2128	BOLT	1	



E0200-A641A

Ref No.	Part No.	Part Name	Qty	A
14069	14069-2088	BREATHER	1	
49019	49019-2114	FILTER-FUEL	1	
51001	51001-2324	TANK-COMP-FUEL	1	
51048	51048-2083	CAP-ASSY-TANK	1	
92009	92009-2383	SCREW,5X20	4	
92071	92071-2142	GROMMET,FUEL TANK	1	
92171	92171-2073	CLAMP	2	
92190	92190-2157	TUBE,3X5X200	1	
92192	92192-2149	TUBE,3X6X105	1	
99996	99996-6089	CAP-TANK & BREATHER,ASSY	1	



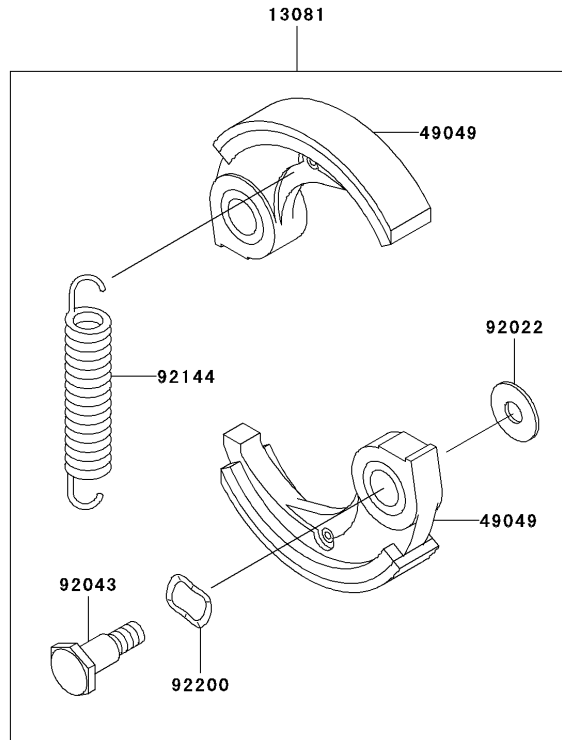


Ref No.	Part No.	Part Name	Qty	A
13165	13165-2107	PAWL	2	
13169	13169-2386	PLATE,RECOIL STARTER	1	
46075	46075-2129	GRIP,RECOIL STARTER	1	
49060	49060-2065	CAM,STARTER-RECOIL	1	
49080	49080-2205	PULLEY-STARTING	1	
49088	49088-2559	STARTER-RECOIL	1	
59101	59101-2120	REEL,STARTER-RECOIL	1	
59106	59106-2064	ROPE,3.8X950	1	
92009	92009-2249	SCREW,5X20	4	
92033	92033-2010	RING-SNAP	2	
92145	92145-2112	SPRING,SPIRAL	1	
92145A	92145-2148	SPRING	2	
92145B	92145-2150	SPRING	1	
92172	92172-2100	SCREW	1	



E0220-A008A

Ref No.	Part No.	Part Name	Qty	A
13081	13081-2220	CLUTCH-ASSY	1	
49049	49049-2075	SHOE-CLUTCH	2	
92022	92026-2125	WASHER	2	
92043	92043-2210	PIN,CLUTCH	2	
92144	92144-2390	SPRING	1	
92200	92200-2064	WASHER,SPRING,10.5X14.5X0.3	2	



F0290-B385A

Ref No.	Part No.	Part Name	Qty	A
56039	56039-2954	LABEL-PRODUCT	1	
56070	56070-2020	LABEL-WARNING	1	
56080	56080-2413	LABEL-BRAND	1	

