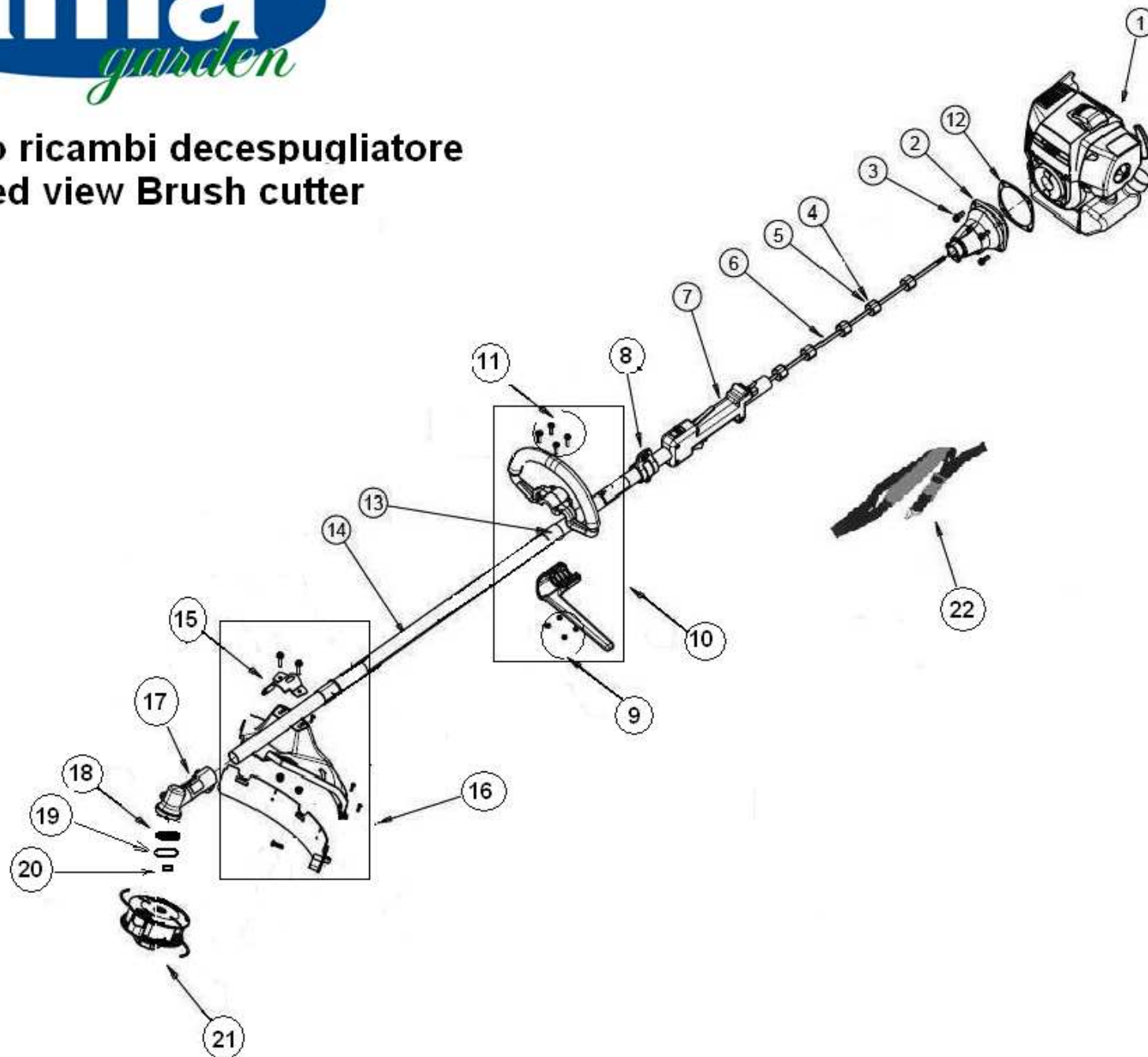




**Esploso ricambi decespugliatore**  
**Exploded view Brush cutter**  
**TOP 35**



Rif.	Codice	Descrizione	Q.ty
1	63729	MOTORE 35cc	1
2	55620	CAMPANA FRIZIONE CPL.	1
3	13586	VITE	4
4	55440	ANTIVIBRANTE ASTA	5
5	55441	BRONZINA ASTA	5
6	13580	ALBERO TRASMISSIONE	1
7	62019	GRUPPO ACCELERATORE	1
8	62031	GANCIO BRETELLA	1
9	F32002	DADO	4
10	75539	IMPUGNATURA D.28 CMPL.	1
11	13588	VITE	4
12	55353	FLANGIA MOTORE	1
13	55617	ANTIVIBRANTE IMPUGNATURA	1
14	73826	TUBO D.28 COMPLETO	1
15	13571	LAMIERINO	1
16	37944	PARASASSI CMPL. NERO	1
17	13610	COPPIA CONICA CPL	1

Rif.	Codice	Descrizione	Q.ty
1	63729	ENGINE 35cc	1
2	55620	CLUTHC DRUM ASS.BLY	1
3	13586	SCREW	4
4	55440	ANTI-VIBRATION BEARING	5
5	55441	BEARING	5
6	13580	DRIVE SHAFT	1
7	62019	THROTTLE HANDLE	1
8	62031	HOOK	1
9	F32002	NUT	4
10	75539	COMPLETE HANDLE	1
11	13588	SCREW	4
12	55353	ENGINE FLANGE	1
13	55617	HANDLE ANTI-VIBRATION	1
14	73826	COMPLETE PIPE D.28	1
15	13571	GUARD BRACKET	1
16	37944	COMPLETE BLACK GUARD	1
17	13610	GEAR BOX	1

Rif.	Codice	Descrizione	Q.ty
18	13532	FLANGIA SUPERIORE	1
19	13533	FLANGIA INFERIORE	1
20	13576	DADO FLANGIATO	1
21	55608	TESTINA CARICAMENTO FAC.	1
22	13599	BRETELLA	3

Rif.	Codice	Descrizione	Q.ty
18	13532	UPPER FLANGE	1
19	13533	LOWER FLANGE	1
20	13576	FLANGED NUT	1
21	55608	EASY CHARGE NYLON HEAD	1
22	13599	HARNESS	3

This catalog covers:

TJ035E- □ S50

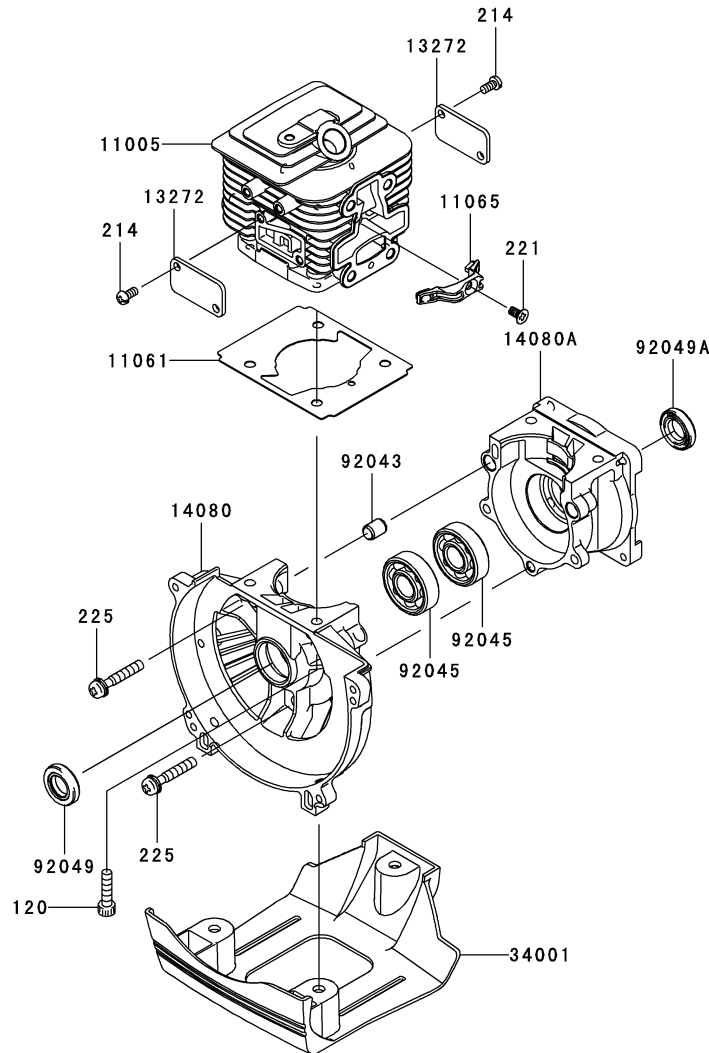
GRID NO.

**B-03**

This grid covers:

**CYLINDER/CRANKCASE**

E0110-A596A



Ref. No.	Part No.	Description	Quantity
11005	11005-2160	CYLINDER-ENGINE	1
11061	11061-2192	GASKET	1
11065	11065-2130	CAP	1
13272	13272-2009	PLATE	2
14080	14080-2064	CRANKCASE	1
14080A	14080-2065	CRANKCASE	1
34001	34001-2090	STAND	1
92043	92043-1302	PIN	2
92045	92045-2058	BEARING-BALL,6201C3	2
92049	92049-2253	SEAL-OIL,ISCD12X22X4.5	1
92049A	92049-2267	SEAL-OIL,ISCD 12X22X4.5F	1
120	120CB0520	BOLT-SOCKET,5X20	4
214	214AA0408	SCREW-PAN+-,4X8	4
221	221AA0408	SCREW-CSK-CROSS,4X8	1
225	225AA0530	SCREW-PAN-WSP-CROS,5X30	3



This catalog covers:

TJ035E- □ S50

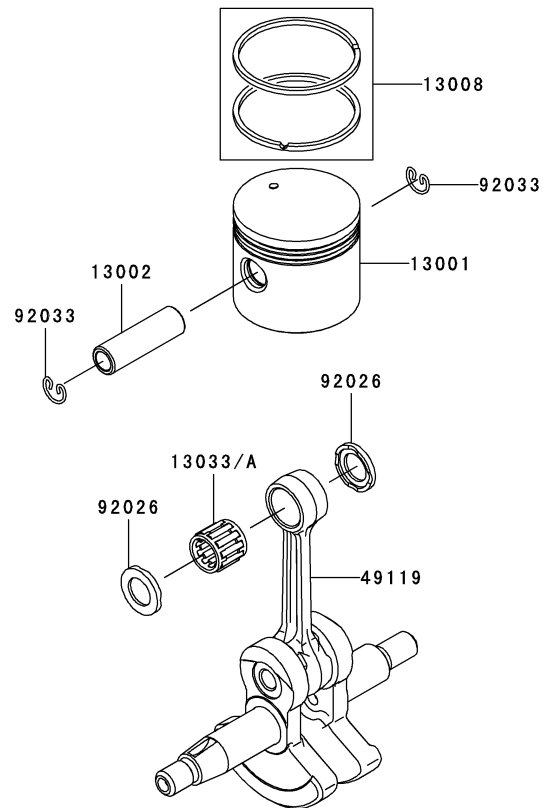
GRID NO.

**B-04**

This grid covers:

**PISTON/CRANKSHAFT**

E0120-A378B



Ref. No.	Part No.	Description	Quantity
13001	13001-2170	PISTON-ENGINE	1
13002	13002-2101	PIN-PISTON	1
13008	13008-6045	RING-SET-PISTON	1
13033	13033-2065	BEARING-SMALL END	1
13033A	13033-2067	BEARING-SMALL END	*
49119	49119-2243	CRANKSHAFT-ASSY	1
92026	92026-2355	SPACER,9X15X1.8	2
92033	92033-2061	RING-SNAP	2



This catalog covers:

TJ035E- □ S50

GRID NO.

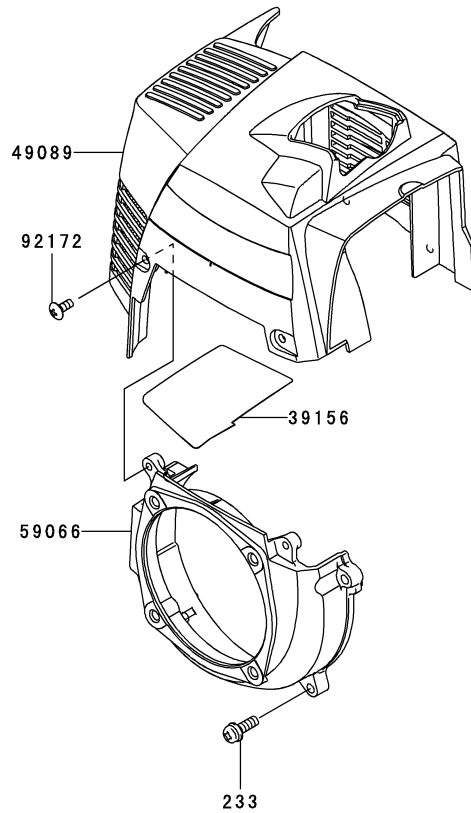
**B-05**

This grid covers:

**COOLING-EQUIPMENT**

E0150-A835A

Ref. No.	Part No.	Description	Quantity
39156	39156-2089	PAD,SHROUD	1
49089	49089-2643	SHROUD-ENGINE	1
59066	59066-2800	HOUSING-FAN	1
92172	92172-2060	SCREW,4X10	2
233	233AA0516	SCREW-PAN-WP+,-,5X16	4



This catalog covers:

TJ035E- □ S50

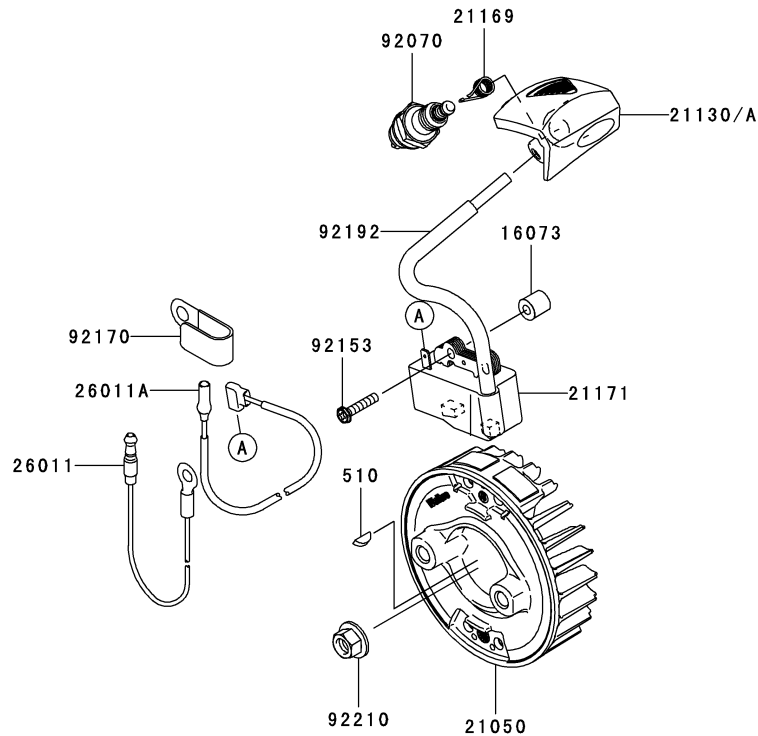
GRID NO.

**B-06**

This grid covers:

**ELECTRIC-EQUIPMENT**

E0160-B209B



Ref. No.	Part No.	Description	Quantity
16073	16073-2220	INSULATOR	2
21050	21050-2317	FLYWHEEL	1
21130	21130-2074	CAP-SPARK PLUG	*
21130A	21130-2077	CAP-SPARK PLUG	1
21169	21169-2051	TERMINAL	1
21171	21171-2257	COIL-ASSY-IGNITION	1
26011	26011-2113	WIRE-LEAD	1
26011A	26011-2361	WIRE-LEAD,L=230	1
92070	92070-2107	PLUG-SPARK,BPMR7A(NGK),SOLID	1
92153	92153-2134	BOLT,4X20	2
92170	92170-2041	CLAMP	1
92192	92192-2165	TUBE,6X6.6X80	1
92210	92210-2094	NUT,M8	1
510	510A3100	KEY-WOODRUFF	1



This catalog covers:

TJ035E- □ S50

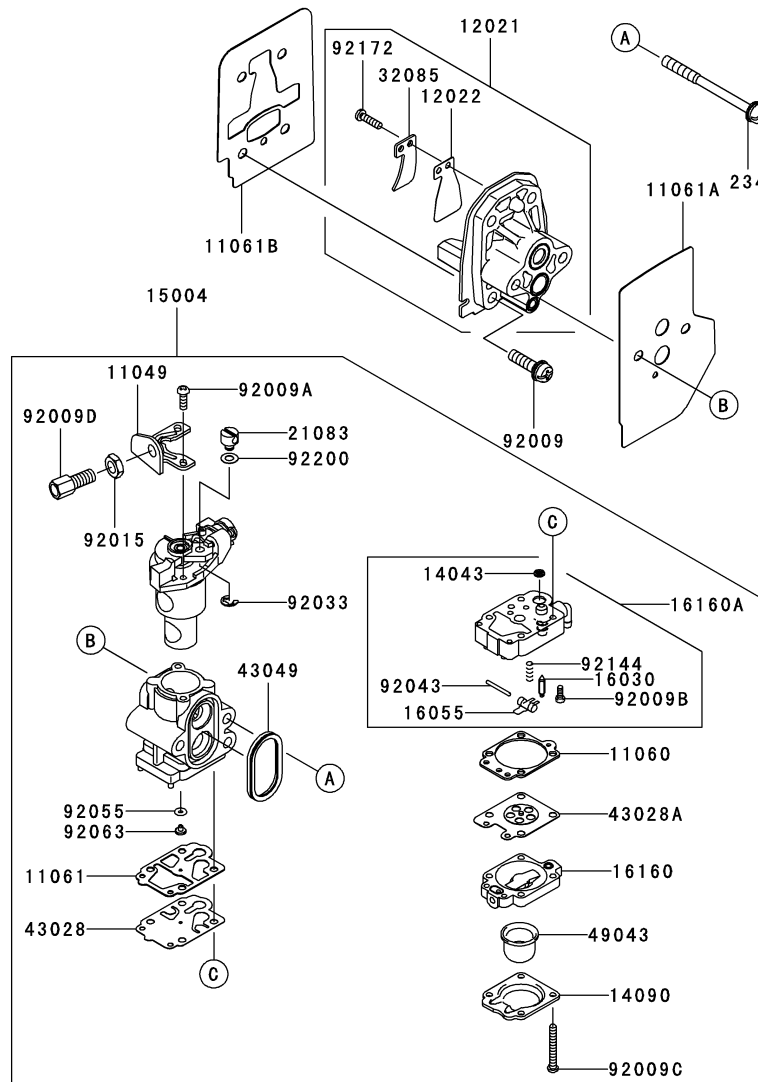
GRID NO.

**B-07**

This grid covers:

**CARBURETOR**

E0180-A746A



Ref. No.	Part No.	Description	Quantity
11049	11049-2006	BRACKET	1
11060	11060-2111	GASKET	1
11061	11061-2054	GASKET	1
11061A	11061-2208	GASKET,CARBURETOR/INSULATOR	1
11061B	11061-2209	GASKET,CYLINDER/INSULATOR	1
12021	12021-2055	VALVE-ASSY-REED	1
12022	12022-2060	VALVE-REED	1
14043	14043-2051	FILTER	1
14090	14090-2017	COVER,PRIMER PUMP	1
15004	15004-2049	CARBURETOR-ASSY	1
16030	16030-2078	VALVE-FLOAT	1
16055	16055-2051	LEVER	1
16160	16160-2089	BODY	1
16160A	16160-2141	BODY	1
21083	21083-2073	ARM	1
32085	32085-2106	STOPPER	1
43028	43028-2067	DIAPHRAGM	1
43028A	43028-2096	DIAPHRAGM	1
43049	43049-2062	PACKING	1
49043	49043-2067	PUMP-PRIMING	1
92009	92009-2249	SCREW,5X20	4
92009A	92009-2277	SCREW	2
92009B	92009-2336	SCREW	1
92009C	92009-2337	SCREW	4
92009D	92009-2354	SCREW	1
92015	92015-2145	NUT	1
92033	92033-2078	RING-SNAP	1
92043	92043-2094	PIN	1
92055	92055-2147	RING-O	1
92063	92063-2393	JET-MAIN,#37	1
92144	92144-2308	SPRING	1
92172	92172-2091	SCREW,3X12	1
92200	92200-2074	WASHER	1
234	234AA0560	SCREW-PAN-WSP+,-,5X60	2



This catalog covers:

TJ035E- □ S50

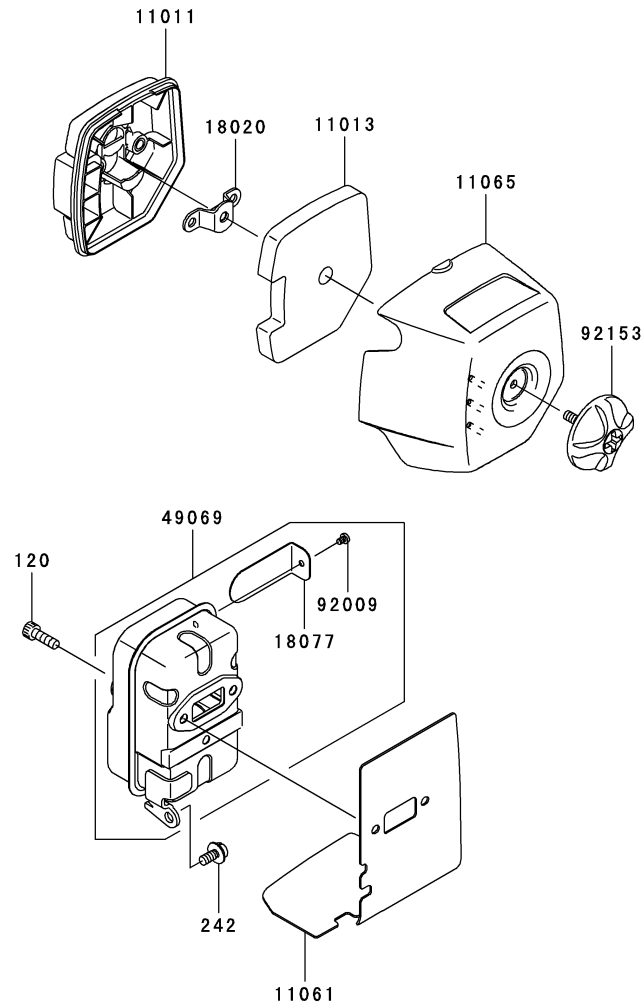
GRID NO.

**B-08**

This grid covers:

**AIR-FILTER/MUFFLER**

E0190-B026A



Ref. No.	Part No.	Description	Quantity
11011	11011-2366	CASE-AIR FILTER	1
11013	11013-2229	ELEMENT-AIR FILTER	1
11061	11061-2193	GASKET,MUFFLER	1
11065	11065-2125	CAP	1
18020	18020-2091	BAFFLE	1
18077	18077-2139	ARRESTER-SPARK	1
49069	49069-2435	MUFFLER-ASSY	1
92009	92009-2411	SCREW	1
92153	92153-2128	BOLT	1
120	120CB0516	BOLT-SOCKET,5X16	2
242	242AA0512	SCREW-PAN-WSP+,5X12	1



This catalog covers:

TJ035E- □ S50

GRID NO.

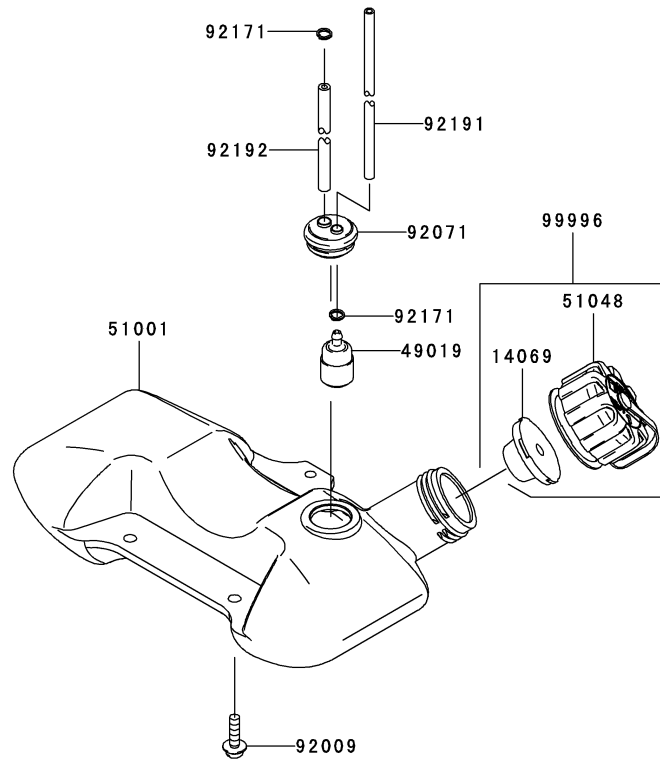
**B-09**

This grid covers:

**FUEL-TANK/FUEL-VALVE**

E0200-A649A

Ref. No.	Part No.	Description	Quantity
14069	14069-2088	BREATHER	1
49019	49019-2114	FILTER-FUEL	1
51001	51001-2336	TANK-COMP-FUEL	1
51048	51048-2083	CAP-ASSY-TANK	1
92009	92009-2383	SCREW,5X20	3
92071	92071-2142	GROMMET,FUEL TANK	1
92171	92171-2073	CLAMP	2
92191	92191-2102	TUBE,3X5X182	1
92192	92192-2117	TUBE,3X6X90	1
99996	99996-6089	CAP-TANK & BREATHER,ASSY	1



This catalog covers:

TJ035E- □ S50

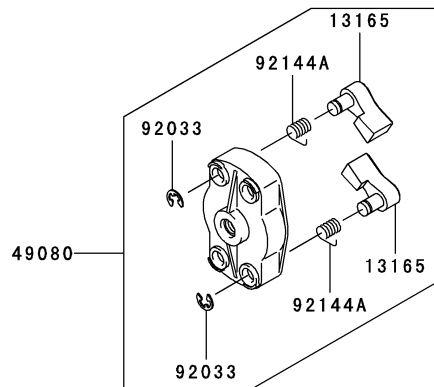
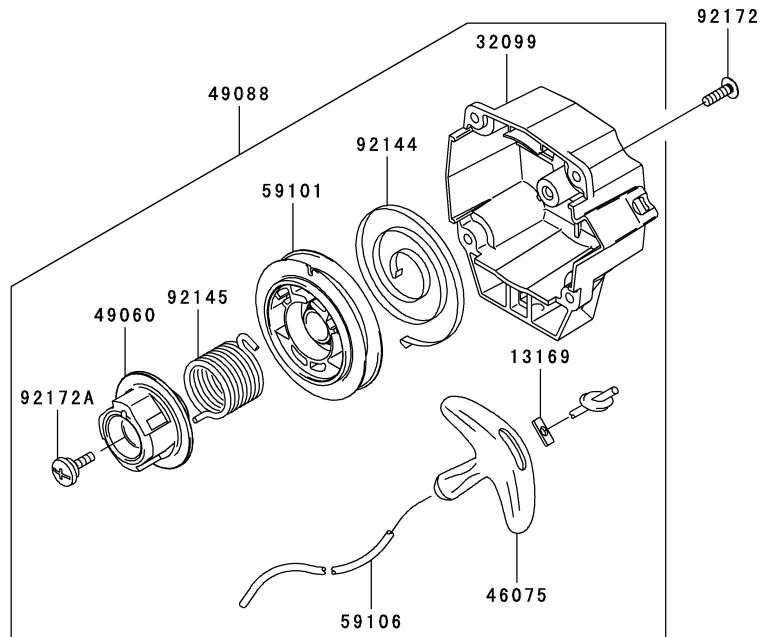
GRID NO.

**B-10**

This grid covers:

**STARTER**

E0210-A424A



Ref. No.	Part No.	Description	Quantity
13165	13165-2103	PAWL	2
13169	13169-2386	PLATE,RECOIL STARTER	1
32099	32099-2419	CASE,STARTER-RECOIL	1
46075	46075-2161	GRIP,STARTER-RECOIL	1
49060	49060-2062	CAM,STARTER-RECOIL	1
49080	49080-2201	PULLEY-STARTING	1
49088	49088-2566	STARTER-RECOIL	1
59101	59101-2119	REEL,STARTER-RECOIL	1
59106	59106-2072	ROPE,3.5X850	1
92033	92033-2010	RING-SNAP	2
92144	92144-2054	SPRING	1
92144A	92144-2157	SPRING	2
92145	92145-2149	SPRING	1
92172	92172-2061	SCREW,4X14	4
92172A	92172-2065	SCREW	1



This catalog covers:

**TJ035E-**  **S50**

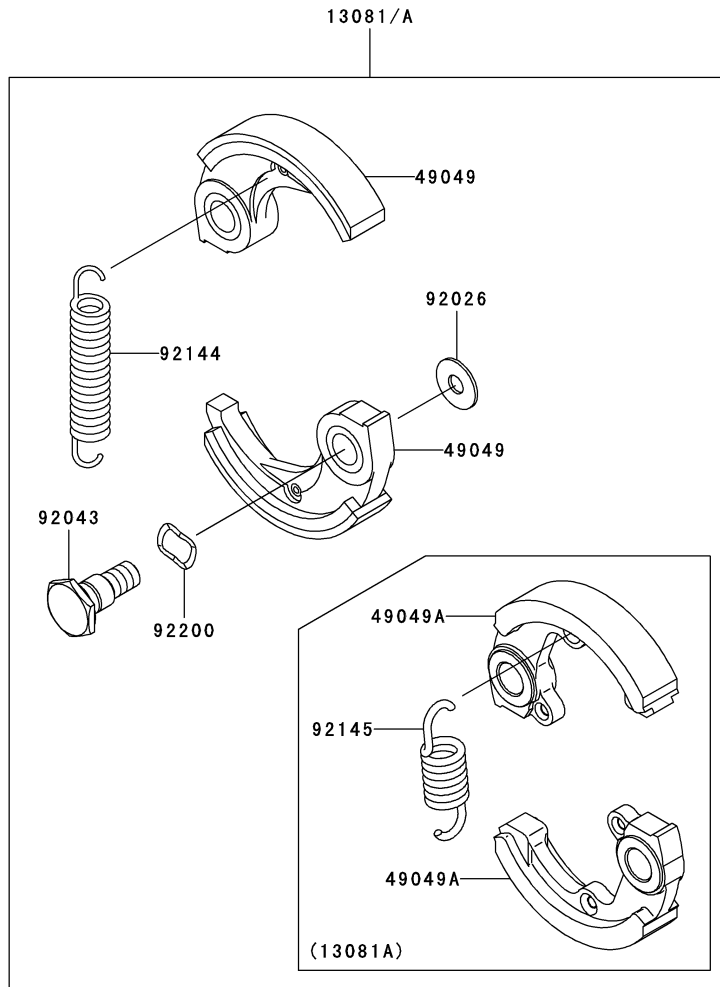
GRID NO.

**B-11**

This grid covers:

**P.T.O-EQUIPMENT**

E0220-A050A



Ref. No.	Part No.	Description	Quantity
13081	13081-2220	CLUTCH-ASSY	1
13081A	13081-2236	CLUTCH-ASSY	*
49049	49049-2075	SHOE-CLUTCH	2
49049A	49049-2104	SHOE-CLUTCH	*
92026	92026-2125	WASHER	2
92043	92043-2210	PIN,CLUTCH	2
92144	92144-2390	SPRING	1
92145	92145-2178	SPRING	*
92200	92200-2064	WASHER,SPRING,10.5X14.5X0.3	2



This catalog covers:  
**TJ035E- □ S50**

GRID NO. This grid covers:  
**C-03 LABEL**

F0290-B399A

Ref. No.	Part No.	Description	Quantity
56039	56039-2963	LABEL-PRODUCT	1
56070	56070-2020	LABEL-WARNING	1
56080	56080-2428	LABEL-BRAND	1

