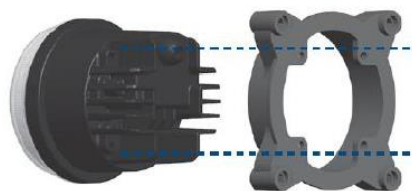




## LED HEADLIGHT KIT

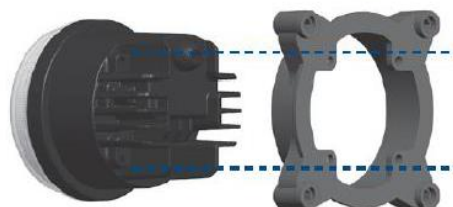
# 61216

## Technical information



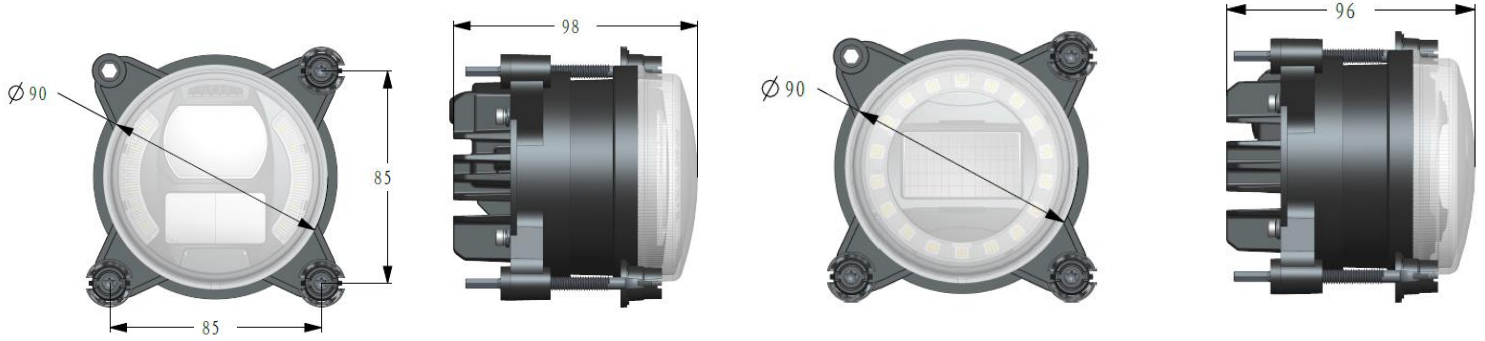
Low beam & position light

<b>Volt</b>	10-30V DC	<b>Working temperature</b>	-40°C a +85°C
<b>Temp. Colour</b>	6000K	<b>Len</b>	PC
<b>Watt</b>	30W	<b>Bracket</b>	PA6
<b>IP degree</b>	IP69K	<b>Housing</b>	Aluminium
<b>Radio disturbance</b>	CISPR 25 Class 3	<b>Cable lenght</b>	10 cm Low beam 20 cm Position light
<b>Current draw</b>	Low beam 12V: 1.83A, 24V: 0.92A Position light 12V: 0.13A, 24V:0.06A	<b>Raw/effective lumen</b>	2500LM 1650LM

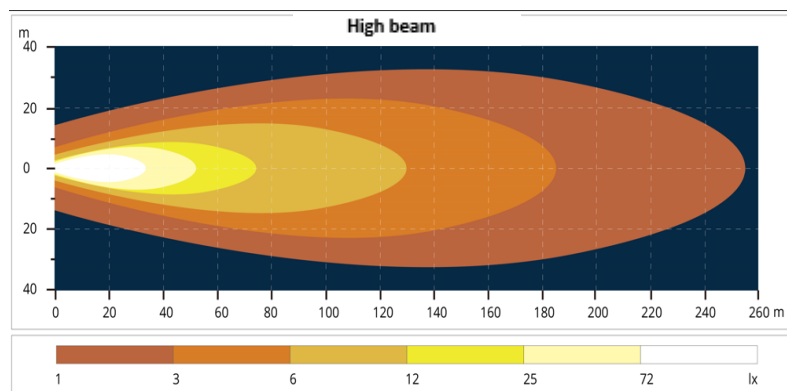
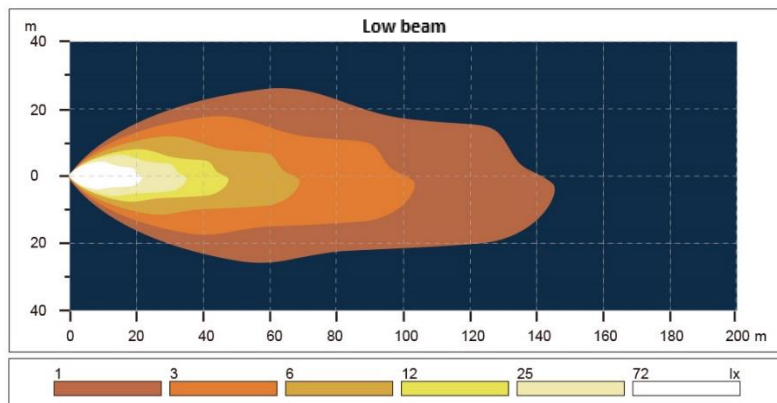


High beam & turn indicator

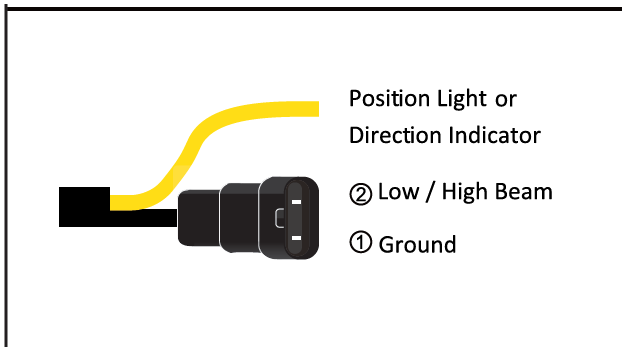
<b>Volt</b>	10-30V DC	<b>Temperatura di lavoro</b>	-40°C a +85°C
<b>Temp. Colour</b>	6000K	<b>Len</b>	PC
<b>Watt</b>	35W	<b>Bracket</b>	PA6
<b>IP degree</b>	IP69K	<b>Housing</b>	Alluminio
<b>Radio disturbance</b>	CISPR 25 Classe 3	<b>Cable lenght</b>	10 cm anabagliante 20 cm posizione
<b>Current draw</b>	High beam 12V: 1.67A, 24V: 0,83A Turn indicator 12V:1.33A, 24V:0.67A	<b>Raw/effective lumen</b>	2500LM 2000LM



## Luminous flux



## Electrical connection



The power cable must be protected by fuse:

### Low beam and position light

Volt	Fuse
12V	2A
24V	1A

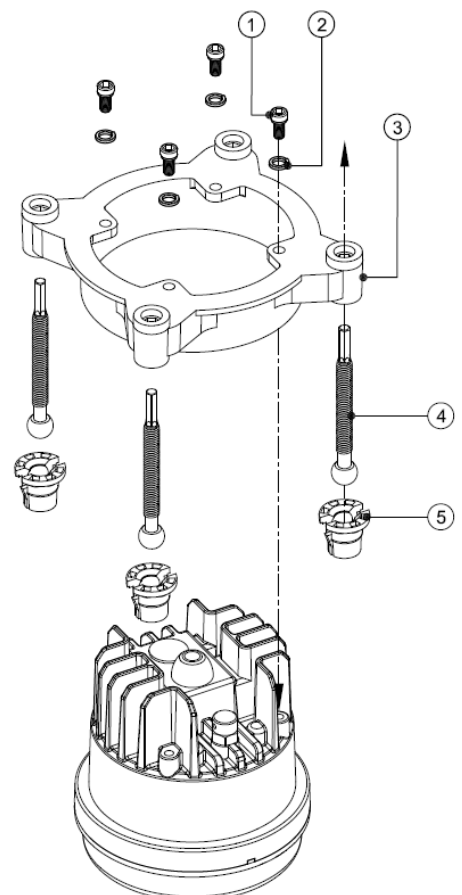
### High beam & turn indicator

Volt	Fuse
12V	3A
24V	1A

## Bracket installation:



List of contents:

1. Inner hex screw M4x10 16 pcs
2. Spring washer M4 16 pcs
3. Bracket 4 pcs
4. Round head star socket screw M8x64 16 pcs
5. Screw headholder M6 16 pcs



## Suitable for

The headlight included in this package is produced by third parties on behalf of AMA SPA and adaptable to the brands and codes indicated. This item is to be considered compliant, in relation to the original specifications, pursuant to REGULATION (EC) No 1400/2002 of the COMMISSION of 31 July 2002 (Monti Directive). Rights to names, trademarks, images, and codes mentioned belong to their rightful owners. Their inclusion is solely for the purpose of allowing the end user to clearly identify the spare part they need.

	Hella – anabbagliante	1B0 015 050, 1M0 015 050, 1BL 012 488, 1ML 012 488, 1BL 247 042, 1ML 247 042, 1BL 008 193, 1LL 008 193, 1BL 008 194, 1LL 008 194	
	Hella – abbagliante	1K0 015 050, 1F0 011 988, 1K0 247 043, 1K0 008 191, 1K0 008 192	
	Massey Ferguson- anabbagliante	4352924M2, 4352924M3, 4353164M3	5609, 5610, 5611, 5612, 5613, 5709S, 5710S, 5710SL, 5711S, 5711SL, 5712SL, 5713SL, 6612, 6613, 6614, 6615, 6616, 6712S, 6714S, 6715S, 6716S, 6718S, 7614, 7615, 7616, 7618, 7619, 7620, 7622, 7624, 7626, 7714, 7715, 7716, 7718, 7719, 7720, 7722, 7724, 7726, 8650, 8660, 8670, 8680, 8690, 8727, 8730, 8732, 8735, 8737, 8740S
	Massey Ferguson- abbagliante	4353164M2, 4353164M3, 4352675M3	
	Fendt- anabbagliante	G931901020141, G931901020140	819, 822, 824, 826, 828, 922, 924, 927, 930, 933, 936, 939 Forage Harvester Katana 65, 85
	Fendt- abbagliante	G931901020151, G931901020150	
	Valmet- Valtra	V63346400	N103 HITECH, N103.4 HITECH, N113 HITECH 5, N123 DIRECT, N123 HITECH 5, N123 VERSU, N143 DIRECT, N143 HITECH, N143 VERSU, N163 DIRECT, N163 VERSU, N93 HITECH, N93 HITECH 5

## Disposal

The crossed-out wheeled bin symbol, in accordance with Directive 2012/19 /EU, shown on the appliance indicates that the product, at the end of its useful life, having to be treated separately from household waste, must be sent to a separate collection center for electrical and electronic equipment. For information on the collection points of the equipment to be scrapped, contact your local municipality or local disposal services. The plastic materials can be recycled separately.




## Declaration of Conformity



We hereby declare, under our sole responsibility, that:

<b>Azienda</b>	AMA SPA
<b>Indirizzo</b>	Via Puccini 28, 42018 San Martino in Rio (RE)
<b>Nazione</b>	ITALIA
<b>Telefono</b>	+39 0522 636911
<b>Fax</b>	+39 0522 695753 - 646241

as importer, certifies and declares under its sole responsibility that the following products:

<b>Descrizione</b>	Led headlight kit	
<b>Brand</b>	AMA	
<b>Item</b>	61216	

comply with the provisions of the relevant European Directives:

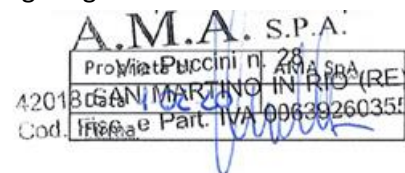
2014/30 / EU Electromagnetic Compatibility Directive

2011/65 / EU Directive on the restriction of the use of certain dangerous substances in electrical and electronic equipment.

References to the relevant harmonized standards used or the specifications in relation to which conformity is declared:

EN 55015: 2013+A1:2015 radio disturbance characteristics of electrical lighting

EN 61547:2009 EMC immunity requirements



Approved device according to the requirements of the Regulations

ECE-R10 Electromagnetic Compatibility requirements

ECE-R148 Light-signalling devices (lamps) for power-driven vehicles and their trailers

ECE-R149 Road illumination devices (lamps) and systems for power-driven vehicles

