



## LED HEADLIGHT KIT

### 61215

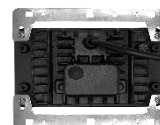
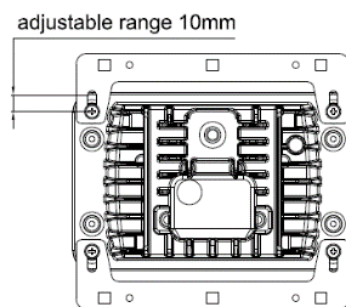
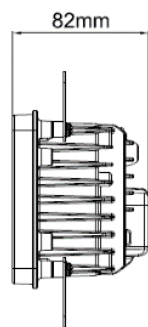
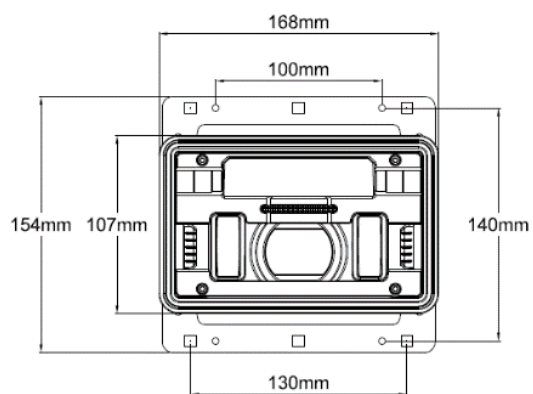
## Technical information

<b>Volt</b>	10-24V DC	<b>Wire length</b>	18 cm
<b>IP degree</b>	IP69K	<b>Len</b>	PC
<b>EMC</b>	CISPR 25 Class 3	<b>Bracket</b>	PA6
<b>Colour temperature</b>	6000K	<b>Housing</b>	Aluminium
<b>Working temperature</b>	-40°C to +80°C		

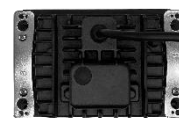
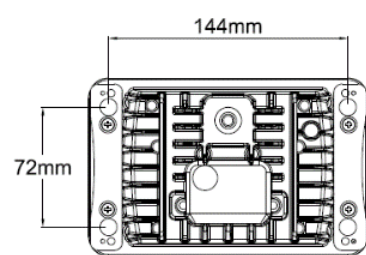
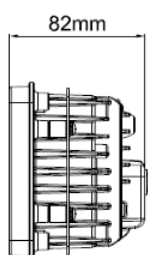
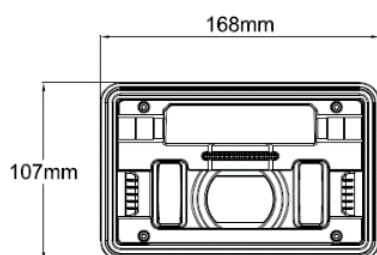
	<b>Watt</b>	<b>Current draw</b>	<b>Raw/Effective lumen</b>
<b>High &amp; low beam</b>	45W	12V/3.65A; 24V/1.88A	5850/4000LM
<b>Low beam</b>	23W	12V/1.92A; 24V/0.96A	3000/1650LM
<b>Position light</b>	2,5W	12V/0.21A; 24V/0.10A	-

## Drawings

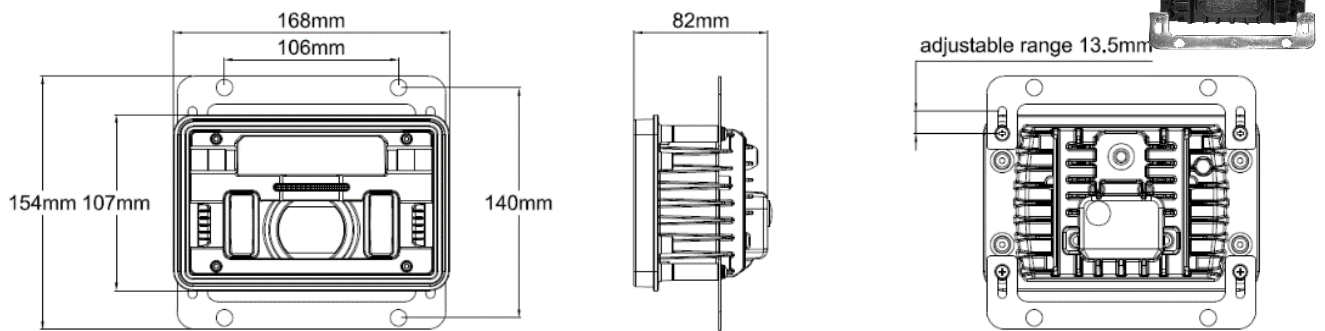
**Bracket A**



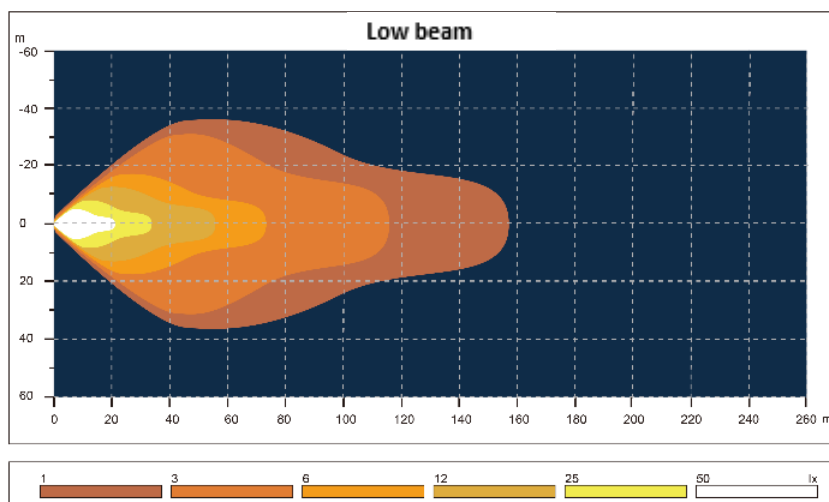
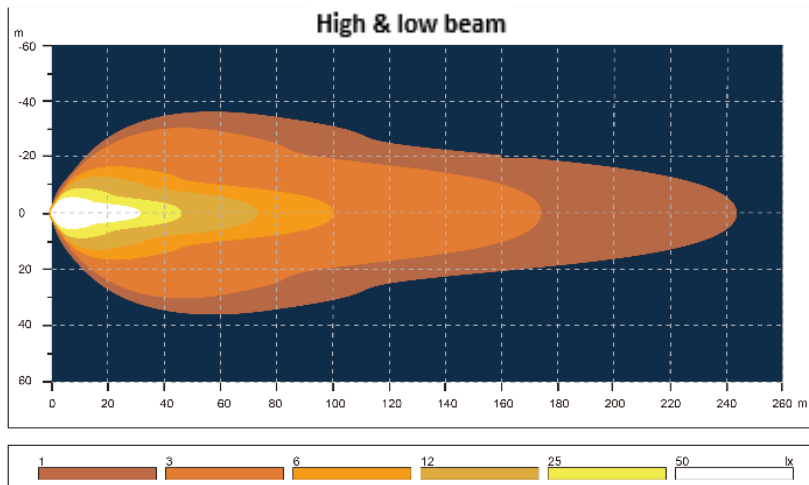
**Bracket B**



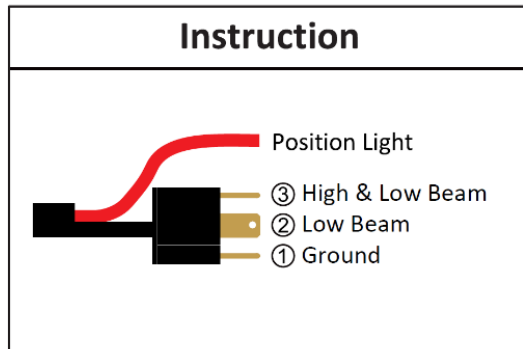
### Bracket C



### Luminous flux



## Electrical connection



The power cable must be protected by fuse:

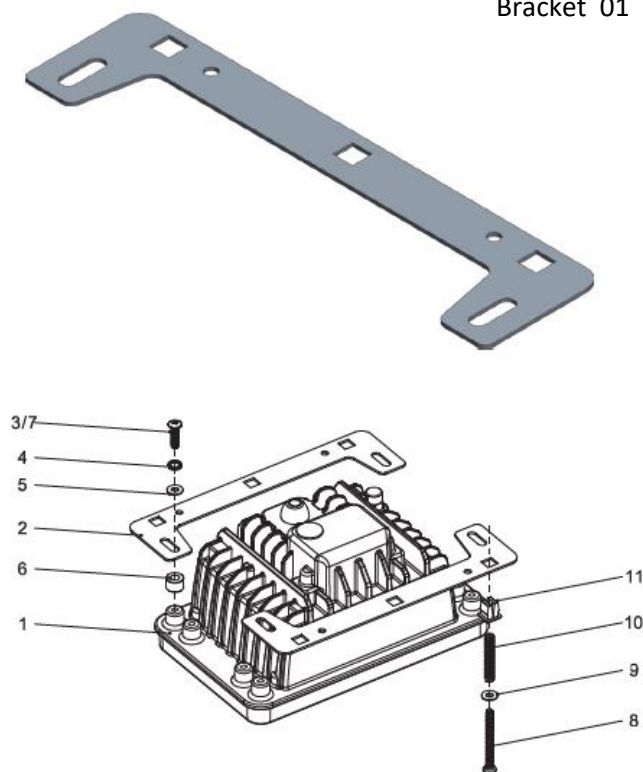
Function	Fuse 12V	Fuse 24V
High beam	8A	4A
Low beam	4A	2A
Position light	2A	2A

## Bracket installation

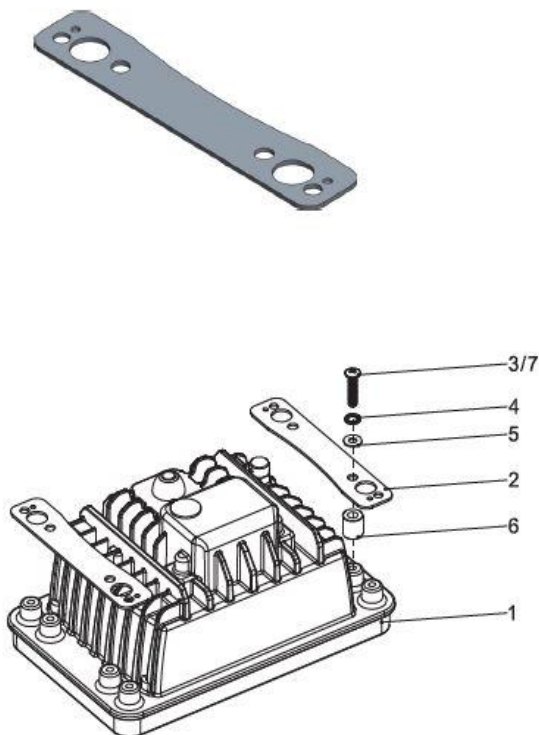
### List of Contents:

1. Light 1 pc
  2. Mounting bracket: 2 pairs
    - a. Bracket 01
    - b. Bracket 02
    - c. Bracket 03
  3. Screw for mounting bracket M4x8mm 4 pcs
  4. Spring washer for mounting bracket M4 4 pcs
  5. Washer for mounting bracket M4 4 pcs
  6. Hollow tube: 6,5 mm 4 pcs; 10,5 mm 4 pcs; 27,5 mm 4 pcs
  7. Screw for hollow tube: M4x15mm 4 pcs; M4x18mm 4 pcs; M4x35mm 4 pcs
  8. Screw: M4x40 mm 3 pcs; M4x70 mm 2 pcs
  9. Washer M4 3 pcs
  10. Spring: 30 mm 3 pcs; 65 mm 2 pcs
  11. White clip 3 pz
- When using a hollow tube for mounting, please use the following screws for the tubes:
- Tubicino 6,5 mm → Vite M4x15 mm  
 Tubicino 10,5 mm → Vite M4x18 mm  
 Tubicino 27,5 mm → Vite M4x35 mm

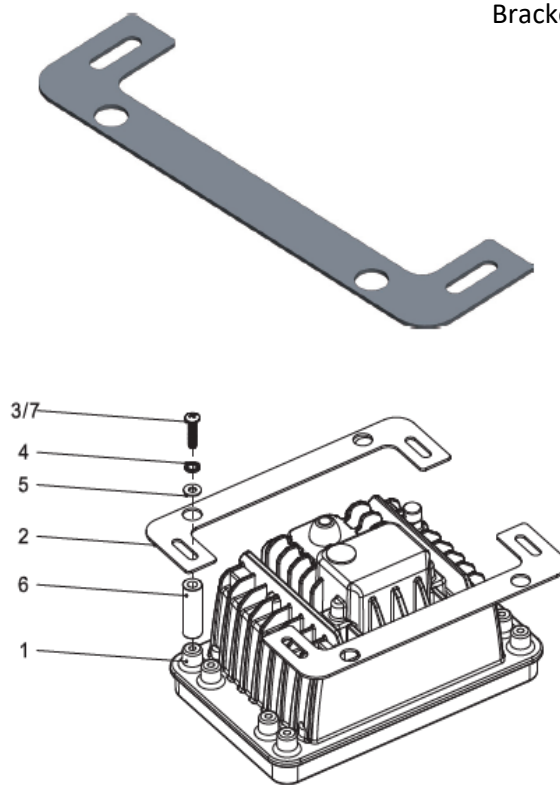
Bracket 01



Bracket 02



Bracket 03



## Suitable for

The headlight included in this package is produced by third parties on behalf of AMA SPA and adaptable to the brands and codes indicated. This item is to be considered compliant, in relation to the original specifications, pursuant to REGULATION (EC) No 1400/2002 of the COMMISSION of 31 July 2002 (Monti Directive). Rights to names, trademarks, images, and codes mentioned belong to their rightful owners. Their inclusion is solely for the purpose of allowing the end user to clearly identify the spare part they need.

Item	BRAND	OEM Ref.	Model
61215 Bracket A	John Deere	RE269110, AL152328, AL152329	<p><b>5E Series:</b> 5055E, 5075E, 5093E, 5093EN.  <b>5M Series:</b> 5065M, 5070M, 5075M, 5080M, 5085M, 5090M, 5095M, 5100M, 5105M.  <b>5R/5RN Series:</b> 5080R, 5090R, 5090RN, 5100R.  <b>6D Series:</b> 6100D, 6110D, 6115D, 6130D, 6140D.  <b>6L Series:</b> 6520L.  <b>Series 22:</b> 2254, 2256, 2258, 2264, 2266.  <b>5020/5020N Series:</b> 5620, 5820.  <b>5025/5025N Series:</b> 5425N.  <b>6000/6000SE Series:</b> 6100, 6200, 6300, 6400, 6600, 6800, 6900, SE6100, SE6200, SE6300.  <b>6005 Series:</b> 6205, 6505.  <b>6010 Series:</b> 6610, 6710, 6810, 6910.  <b>6010/6010SE Series:</b> 6010, 6110, 6210, 6310, 6410, 6610, 6810, 6910, 6910S, SE6010, SE6110, SE6210, SE6310, SE6410, SE6510, SE6610.  <b>6015 Series:</b> 6215, 6215 (PC4367), 6515, 6715.  <b>6020/6020SE Series:</b> 6020, 6120, 6220, 6320, 6320 (PC4357), 6420, 6420 (PC4357), 6420S, 6520, 6620, 6920, 6920S, SE6020, SE6120, SE6220, SE6320, SE6420, SE6520, SE 6620.  <b>6025 Series:</b> 6225, 6325, 6425.  <b>6030/6030PR Series:</b> 6130, 6430, 6530, 6534, 6630, 6830, 6930.  <b>6050 Series:</b> 6650, 6750, 6850, 6950.  <b>7000 Series:</b> 7600, 7800.  <b>7010 Series:</b> 7610, 7710, 7810.  <b>7030/7030PR Series:</b> 7130, 7230.  <b>Z Series:</b> 2056, 2058, 2064, 2066.</p>
	Massey Ferguson	1693944M93, 3809346M91, 3824712M91	<p><b>200 Series:</b> 243.  <b>Series 203:</b> 253, 263.  <b>300 Series:</b> 340, 342, 350, 360, 372, 375, 382, 383, 390, 390T, 393, 398, 399.  <b>300 Series (2nd Generation):</b> 355, 362, 365.  <b>300 Series (3rd Generation):</b> 352.  <b>3000 Series:</b> 3050, 3065, 3070, 3075, 3080, 3085, 3090, 3095.  <b>3100 Series:</b> 3115, 3120, 3125, 3140.  <b>3600 Series:</b> 3610, 3630, 3650, 3660, 3670, 3680, 3690.  <b>3600 Series (2nd Generation):</b> 3635, 3655.  <b>4200 Series:</b> 4215, 4220, 4225, 4235, 4240, 4243, 4245, 4255, 4260, 4263, 4265, 4270.  <b>4300 Series:</b> 4315, 4320, 4325, 4335, 4345, 4355, 4360, 4365, 4370.</p>

61215 Bracket A			<p><b>5000 Series:</b> 5285, 5290.  <b>6100 Series:</b> 6120, 6130, 6140.  <b>6200 Series:</b> 6245, 6255, 6260, 6265, 6270, 6280, 6290.  <b>8200 Series:</b> 8210, 8240, 8250, 8260.</p>
	Ford/New Holland	82014423, 82014422, 81869813, 83999520, 81869799, 5165824, FONN13005AB	<p><b>1000 Series:</b> 1905.  <b>2000 Series:</b> 2205, 2305, 2405.  <b>9000 Series:</b> 9630, 9640, 9645.  <b>AL Series:</b> AL59.  <b>C Series:</b> C175 (1/07-12/07).  <b>CL Series:</b> CL560.  <b>CR Series:</b> CR 8070 E3 Tier 3 (12/11-), CR 8070 E4 Tier 4 (12/11), CR 8080 E4 Tier 4 (12/11).  <b>CR 900 Series:</b> CR920, CR940, CR960, CR970, CR980.  <b>CR 9000 Series:</b> CR 9060 (9/06-), CR 9060 (10/07-12/11), CR 9070 E4 Tier 4 (12/11-), CR 9070 Tier 3 (10/07-12/11), CR 9080 (9/06-), CR 9080 (10/07-12/11), CR 9080 E3 (12/11-), CR 9090 E4 Tier 4 (12/11-), CR 9090 Tier 3 (1/09-12/11).  <b>CS 500 Series:</b> CS520, CS540, CS640, CS660.  <b>CS 6000 Series:</b> CS6050, CS6060, CS6080, CS6090.  <b>CSX 7000 Series:</b> CSX7040 (9/08-), CSX7050 (9/08-), CSX7060 (9/06-8/08), CSX7060 (9/08-), CSX7070 (9/08-), CSX7080 (9/06- 8/08), CSX7080 (9/08-).  <b>CX Series:</b> CX 7080 E4 (10/13-), CX 7090 E4 (10/13-).  <b>CX 700 Series:</b> CX720, CX740, CX760.  <b>CX 800 Series:</b> CX820, CX840, CX860, CX880.  <b>CX 8000 Series:</b> CX8030 (1/06-4/11), CX8040 (1/06-4/11), CX8040 E4 Tier 4 (4/11-), CX8050 (1/06-4/11), CX8050 E4 Tier 4 (4/11-), CX8060 (1/06-4/11), CX8060 E3 Tier 3 (4/11-), CX8070 (1/06-4/11), CX8070 E3 (4/11-), CX8070 E4 (4/11-), CX8070 E4 (10/13-), CX8080 E3 (4/11-), CX8080 E4 (4/11-), CX8080 E4 (10/13-), CX8090 (1/06-4 /11), CX8090 E4 (4/11-), CX8090 E4 (10/13-).  <b>FR Series:</b> FR 450 E4 (9/12-), FR 500 E3 (9/12-), FR 500 E4 (9/12-), FR 600 E3 (9/12-), FR 700 E3 (9/12-), FR 850 E2 (9/12-), FR9040, FR9050, FR9060, FR9080, FR9090.  <b>FX Series:</b> FX28, FX30, FX38, FX40, FX48, FX50, FX58, FX60, FX300, FX375.  <b>L Series:</b> L170, L865.  <b>LM series:</b> LM410, LM420, LM425 (10/01-12/03), LM425 A (11/03-12/07), LM430, LM435 A, LM445 A, LM630, LM640.  <b>LS Series:</b> LS150, LS160, LS170.  <b>LX Series:</b> LX465, LX485, LX565, LX665, LX865.  <b>T6 Series:</b> T6.120(2/12-), T6.140 (2/12-), T6.150 (2/12-), T6.155(2/12-), T6.160 (2/12-), T6.165</p>
	Case/IH	134672040, 134672050, 47106799	<p><b>Case:</b> 1194, 1294, 1394, 1494, 1594, 1694  <b>Case IH:</b> 1056, 1255, 1455, 433, 533, 633, 733, 743, 745, 833, 844, 845, 856, 956</p>
	Valmet & Valtra		<p><b>Valmet:</b> 305, 355, 365, 405, 415, 455, 465, 504, 505, 555, 565, 600, 604, 605, 612 DS, 620 DS, 620 DS, 634 DS, 634 DSBAE, 665, 705, 805, 865, 905.  <b>Valmet Valtra:</b> 700, 800, 6000, 6100, 6200, 6250, 6300, 6350, 6400, 6550, 6600, 6650, 6750, 6800, 6850, 6900, 8000, 8050, 8100, 8150, 8150HI, 8200, 8350HI, 8400, 8450, 8450HI, 8550, 8550HI, 8750, 8950HI, 900.</p>

61215 Bracket A			<b>Valtra:</b> M120, M120E, M130, M150, N122 Direct, N122 Versu, N142 Direct, N142 Versu, T120, T121C, T130, T131C, T131H, T132 Direct, T132 Versu, T140E, T140ECH, T150, T150CH, T151EH, T151ELS, T152 Direct, T152 Versu, T160, T160CH, T170, T180, T190, XM130, XM150
	Claas/Renault	7700692117, 28692117	<b>Series 100:</b> 110-14, 110-54, 113-12, 113-14, 120-14, 120-54, 133-14, 133-54, 145-14, 145-54, 155-54, 160-94, 175-74, 180-94 <b>Series Ares 500:</b> 540RX, 546 RX, 550 RX, 556 RX, 566 RX <b>Series Ares 600:</b> 610RX, 616RX, 620RX, 626RX, 630RX, 636RX, 640RX, 656, 696 RZ <b>Series Ares 700:</b> 710, 715, 720, 725, 735 <b>Series Ares 800:</b> 815, 816, 825, 826, 836 <b>Series Atlés:</b> 915RZ, 925RZ, 926RZ, 935RZ, 936RZ <b>Series Temis:</b> 550X, 610, 630X, 650
	Steyr	134972011	9100M, 9100MT, 9105, 9105MT, 9115, 9125, 9145, 9155(A), 9170(A), 9190(A)
	Landini	3550746M91	<b>Series 60:</b> 7560L , 4560V , 7560F , 7560V <b>Series 5000:</b> 5560L , 5560F , 5860 <b>Series 6000:</b> 6060 , 6880 , 6060F , 6860 , 6560V , 6560L , 6060V , 6060L , 6560F <b>Series 7000:</b> 7860 , 7880 <b>Series 8000:</b> 8880 , 8860 , 8560F , 8560L <b>Series 9000:</b> 9080 , 9880 , 9880HC <b>Series TREKKER:</b> 75F , 85F , 55F, 75 TIER 3 <b>Series ADVANTAGE:</b> 55GTP, 60GTP, 65GTP, 75GTP, 85GTP <b>Series REX:</b> 95GTP <b>Series GLOBUS:</b> 50, 55
61215 Bracket B	John Deere	AL75338, RE56964	6200, 6300, 6400, 6500, 6110, 6210, 6310, 6410, 6200L, 6300L, 6400L, 6500L, 6310S, 6410S, 6510S, 7200, 7400, 7600, 7700, 7800, 7210, 7410, 7510, 7610, 7710, 7810
	Case/ David Brown	1333291C1, 85651C91	1190 motore AD3.55, 1290 motore AD4.49, 1390 motore AD4.55, 1490 motore AD4.55T, 1590, 1690 motore AD6.55T
	Fendt / AGCO	X830160039000	F231GT, F255GT, F275GT, F345GT, F350GT, F360, F360GT, F365, F365GT, F370GT, F380, F380 GT <b>FARMER:</b> 303, 304, 305, 306, 307 308, 309, 310, 311, 312 <b>FAVORIT:</b> 600, 610, 611, 612, 614, 615, 626 LSA
	Deutz-Fahr	04411363, 04435915	<b>Agrotron:</b> 80, 90, 100, 105, 110, 6.01 <b>MK1:</b> 4.80, 4.85, 4.90, 4.95, 6.00, 6.01, 6.05, 6.15, 6.20, 6.30, 6.45, 80 <b>MK2:</b> 80, 85, 90, 100, 105, 106, 110, 115, 120, 135, 150, 260, 4.70 <b>MK3:</b> 85, 90, 105, 106, 110, 135, 150, 160, 165, 175, 200, 230
	HELLA	1AB 003 177-001	
	COBO	05.400.000.01	
61215 Bracket C	John Deere	AL152328, AL152329, AL152330	5070M, 5080, 5080M, 5080R, 5080RN, 5090, 5090M, 5090R , 5090RN, 5100M, 5100R, 5100RN 5620, 5720, 5820, 6020 , 6120, 6130, 6215, 6220, 6225, 6320 , 6325, 6420, 6420S, 6425, 6520, 6525, 6620, 6630, 6530 , 6534, 6820, 6830, 6920 , 6920S, 6930 SE6020, SE6120, SE6220, SE6320, SE6420, SE6520, SE6620, SE6920

## Disposal

The crossed-out wheeled bin symbol, in accordance with Directive 2012/19 /EU, shown on the appliance indicates that the product, at the end of its useful life, having to be treated separately from household waste, must be sent to a separate collection center for electrical and electronic equipment. For information on the collection points of the equipment to be scrapped, contact your local municipality or local disposal services. The plastic materials can be recycled separately.




## Declaration of Conformity



We hereby declare, under our sole responsibility, that:

<b>Azienda</b>	AMA SPA
<b>Indirizzo</b>	Via Puccini 28, 42018 San Martino in Rio (RE)
<b>Nazione</b>	ITALIA
<b>Telefono</b>	+39 0522 636911
<b>Fax</b>	+39 0522 695753 - 646241

as importer, certifies and declares under its sole responsibility that the following products:

<b>Description</b>	Led headlight kit	
<b>Brand</b>	AMA	
<b>item</b>	61215	

comply with the provisions of the relevant European Directives:

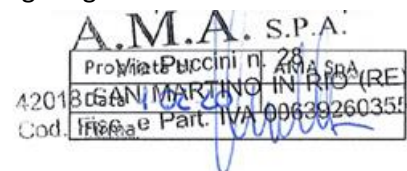
2014/30 / EU Electromagnetic Compatibility Directive

2011/65 / EU Directive on the restriction of the use of certain dangerous substances in electrical and electronic equipment.

References to the relevant harmonized standards used or the specifications in relation to which conformity is declared:

EN 55015: 2013+A1:2015 radio disturbance characteristics of electrical lighting

EN 61547:2009 EMC immunity requirements



Approved device according to the requirements of the Regulations

ECE-R10 Electromagnetic Compatibility requirements

ECE-R148 Light-signalling devices (lamps) for power-driven vehicles and their trailers

ECE-R149 Road illumination devices (lamps) and systems for power-driven vehicles

